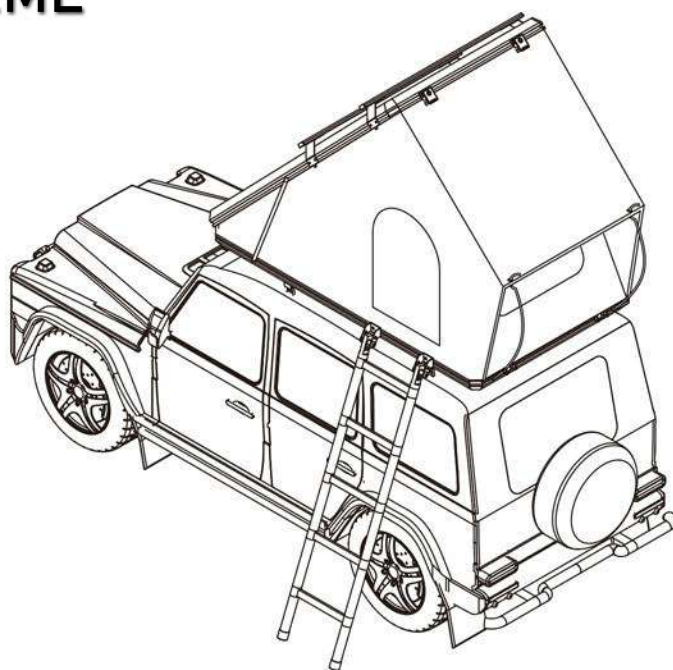
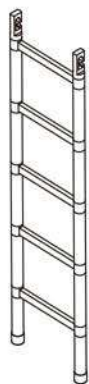


# TENTE DE TOIT ALUMINIUM - DJEBELXTREME



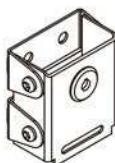
## Accessories List:



Ax1



Bx14



Cx2



Dx4



Ex2



Fx8



Gx1



Hx8



Jx14



Kx2



Lx1

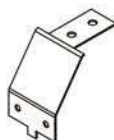


Mx3

## Optional Accessories(For Roof Rack)



Nx2



Ox4



Px8

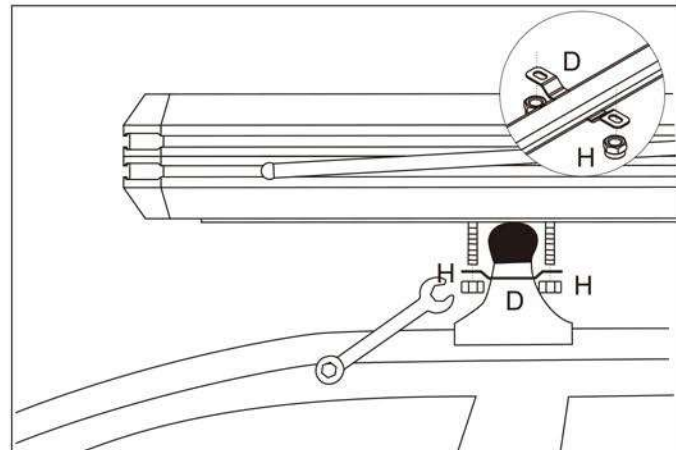
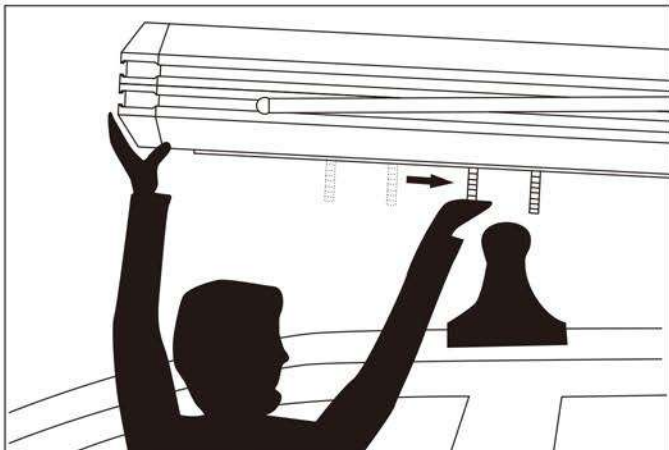
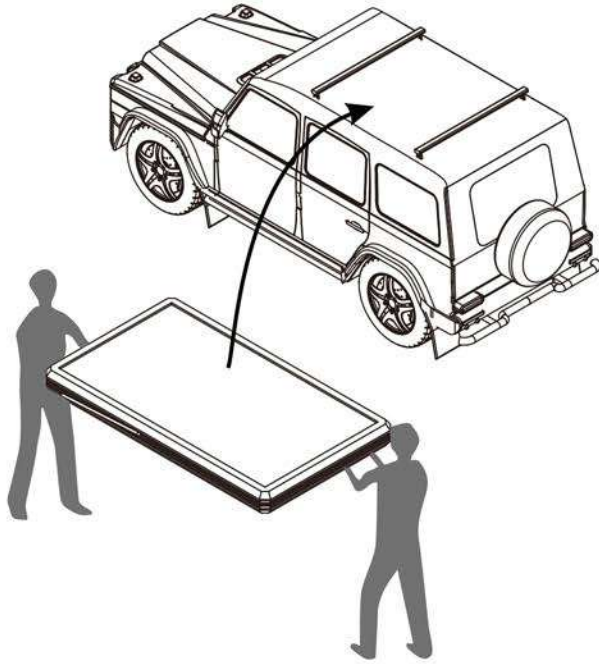
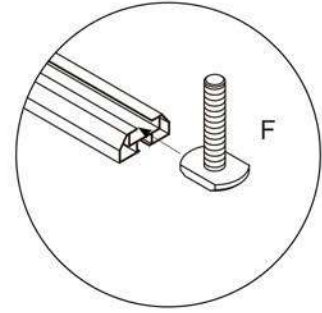
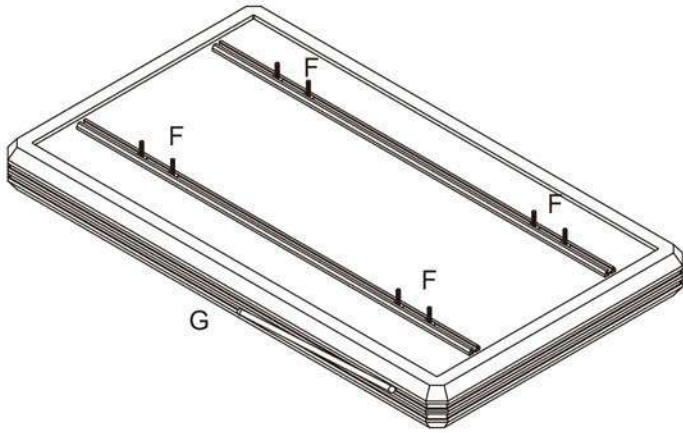


Qx16

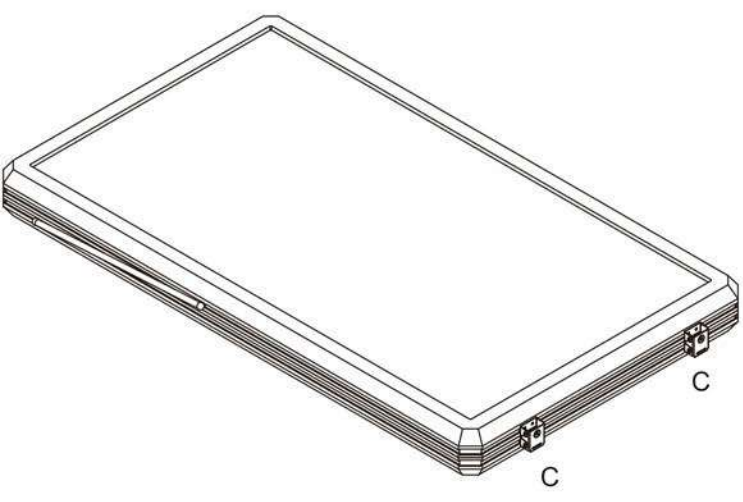


Rx8

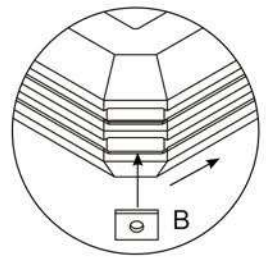
# 1. Installation



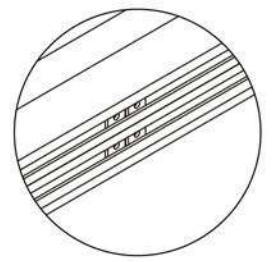
## 2.Install Tent Accessories



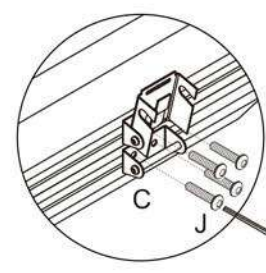
Lock



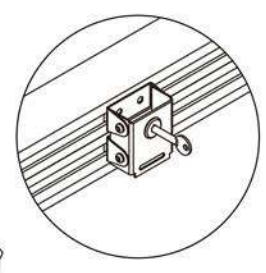
1



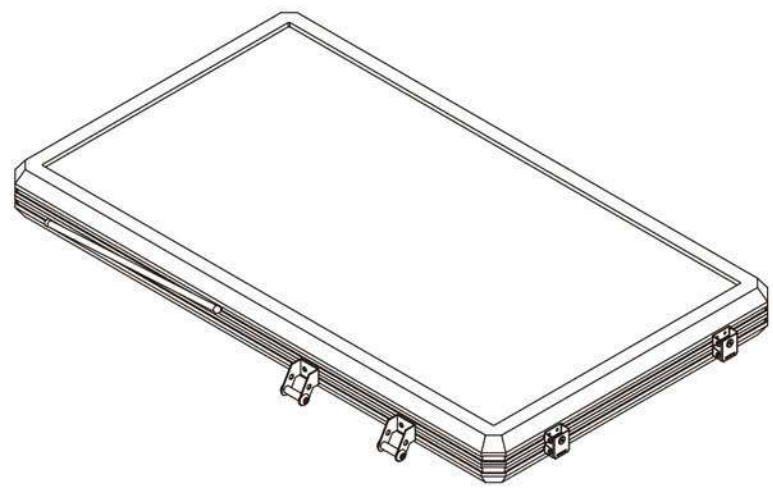
2



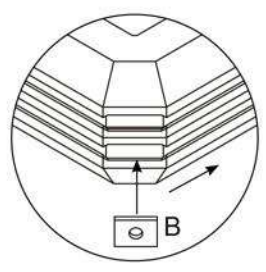
3



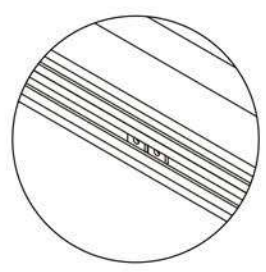
4



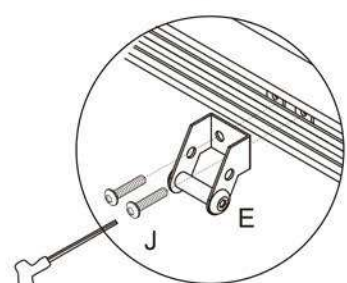
Ladder Hook



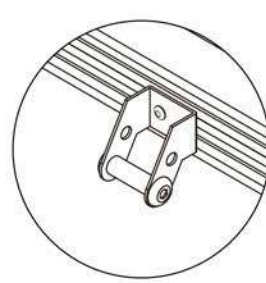
1



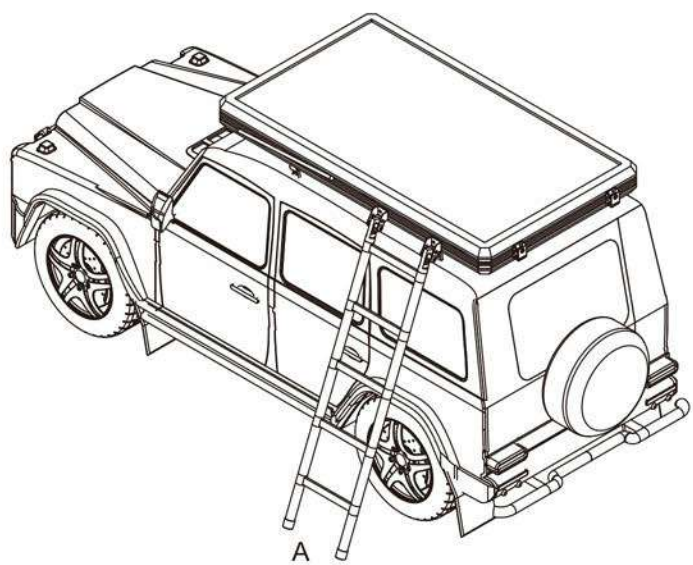
2



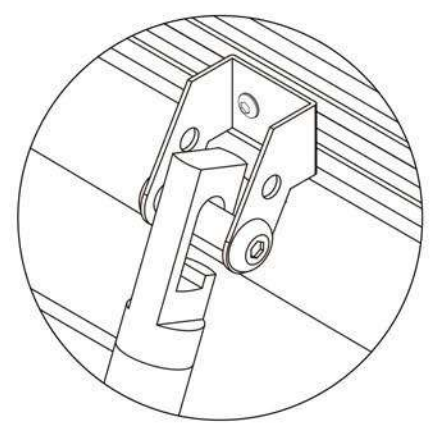
3



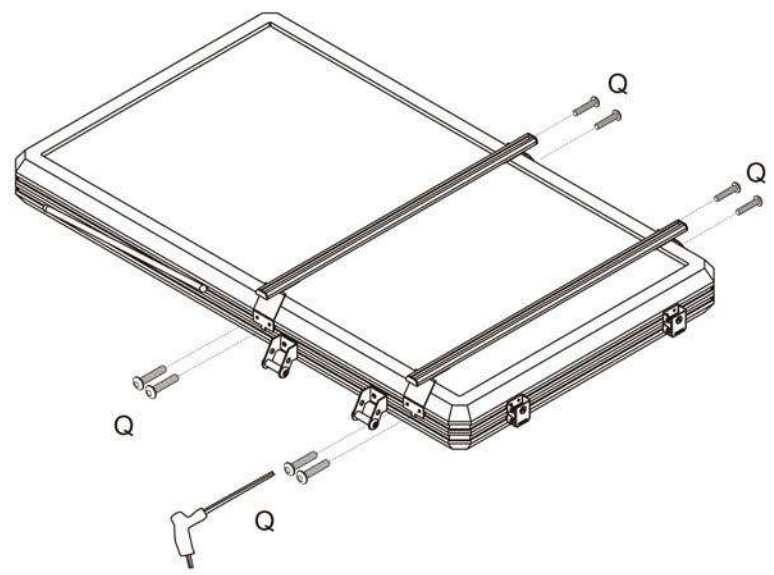
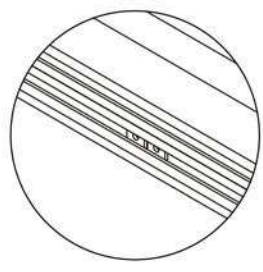
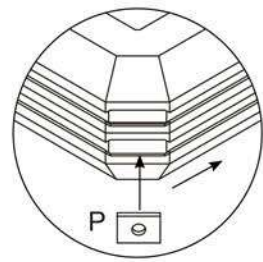
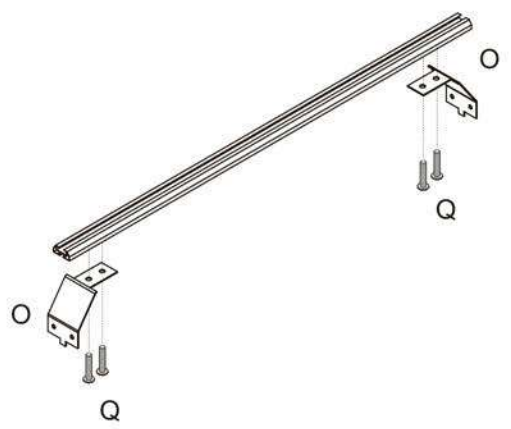
4



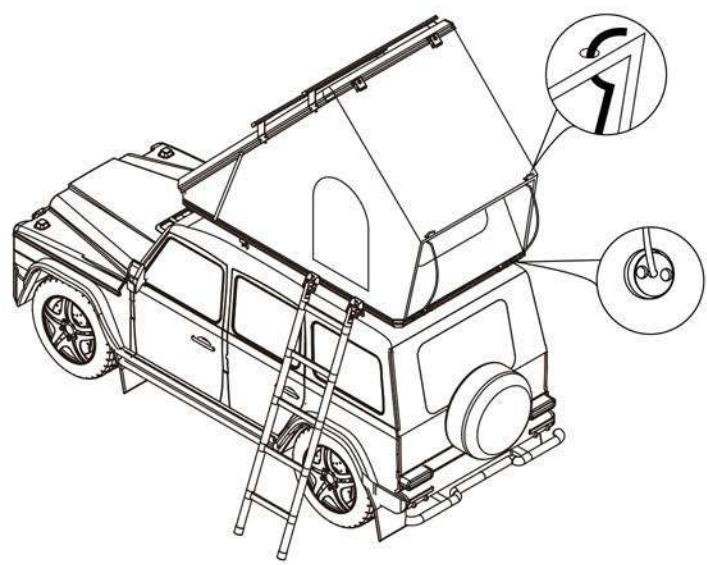
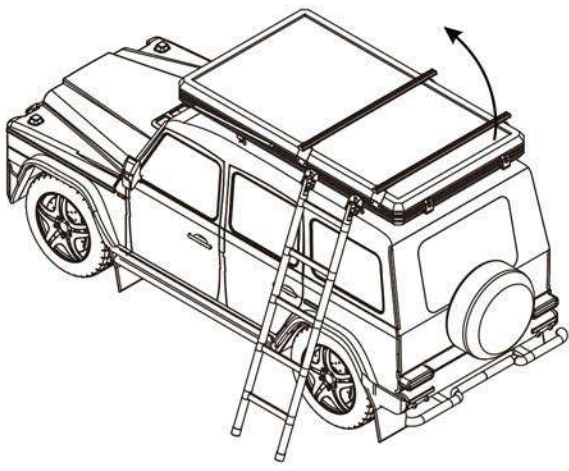
A



### 3. Install Tent Roof Rack (Optional)



### 4. Tent Opening And Closing



#### Attention:

- 1) Make sure that the screws are not loose before driving at high speed.
- 2) The speed does not exceed 120 km/h