

# CRAFTED LIKE NO OTHER

DON'T JUST SETTLE  
FOR THE SAME  
OLD BULL

OWNER MANUAL

TOYOTA  
HILUX 2020+

**AFN**<sup>®</sup>  
4 X 4 ACCESSORIES



## WELCOME TO THE AFN FAMILY

This manual contains the Toyota HILUX +2020 fitting instructions for:

**Bull Bar w/ Fog Lights Ref.: 48002698**

**Front Bumper w/ Fog Lights Ref.: 48002718**

**Front Bumper w/ Middle Hoop and Fog Lights Ref.: 48002724**



# 1 INTRODUCTION



## The Company

Founded in 1995, AFN - 4x4 Accessories dedicates itself to the production and commerce of all-terrain accessories. Its constant concern in its customers total satisfaction, and in the ideals of innovation and transformation have granted a position of notability both in the national and international panorama.

The only company in Portugal in the mass production of 4x4 accessories, relies on specialized and experienced technicians, with the most adequate knowledge, to an efficient response capability to its customers demands.

Thanks to the specialization in the several areas of design and manufacture and to a constant investment in technology, AFN has been broadening its wide range of products, without ever neglecting the quality factor.

## 4x4 Accessories

In its diversity of products we can include, with all-terrain quality, protection, safety and aesthetic accessories.

And it is here that AFN invest on the best technology, the best cut precision of the raw material, and the transformation of products with the quality recognized in the marketplace.

AFN has, at its disposal, resources to test and analyse the resistance of its products and stands in the front row regarding the European homologation of materials dedicated to all terrain.

The contact with the most important test laboratories for vehicles, both in England, Spain and Germany, provides AFN with the know-how to manufacture a wide range of quality products.

## Our Design Approach

AFN designs each accessory taking into consideration the original model lines and fitting points. We refuse to have a "one design fits all" solution and we are always looking forward to embrace new challenges on how to adjust a new product into a new model!

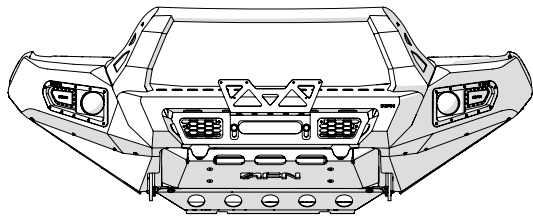
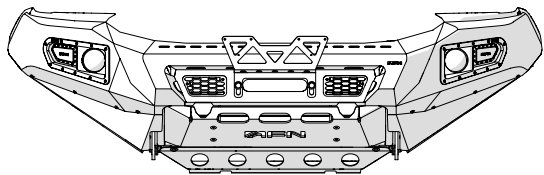
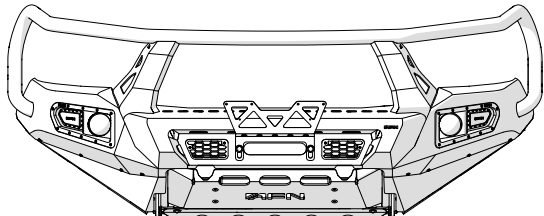
The days of just throwing on a bit of steel together to form a protection system are gone. AFN is leading the way modern vehicle protection components are manufactured. Other will follow, and it won't be long where the AFN approach to Styling, Fit, Form and Function will become the benchmark for all other manufacturers.







# INDEX



**AFN 4x4 Accessories**

Product: **Bull Bar with Fog Lights**  
Part Ref.: **48002698**

Product: **Front Bumper with Fog Lights**  
Part Ref.: **48002718**

Product: **Front Bumper with Middle Hoop and Fog Lights**  
Part Ref.: **48002724**

Introduction 2

1 Checklist 4

Product 48002698/48002718/48002724

2 Fitting Instructions 6

3 HILUX REVO Catalogue 25

4 Warranty Terms 26

5 AFN LED Lights 27

6 Template for OEM Grill 29



# 1 CHECKLIST

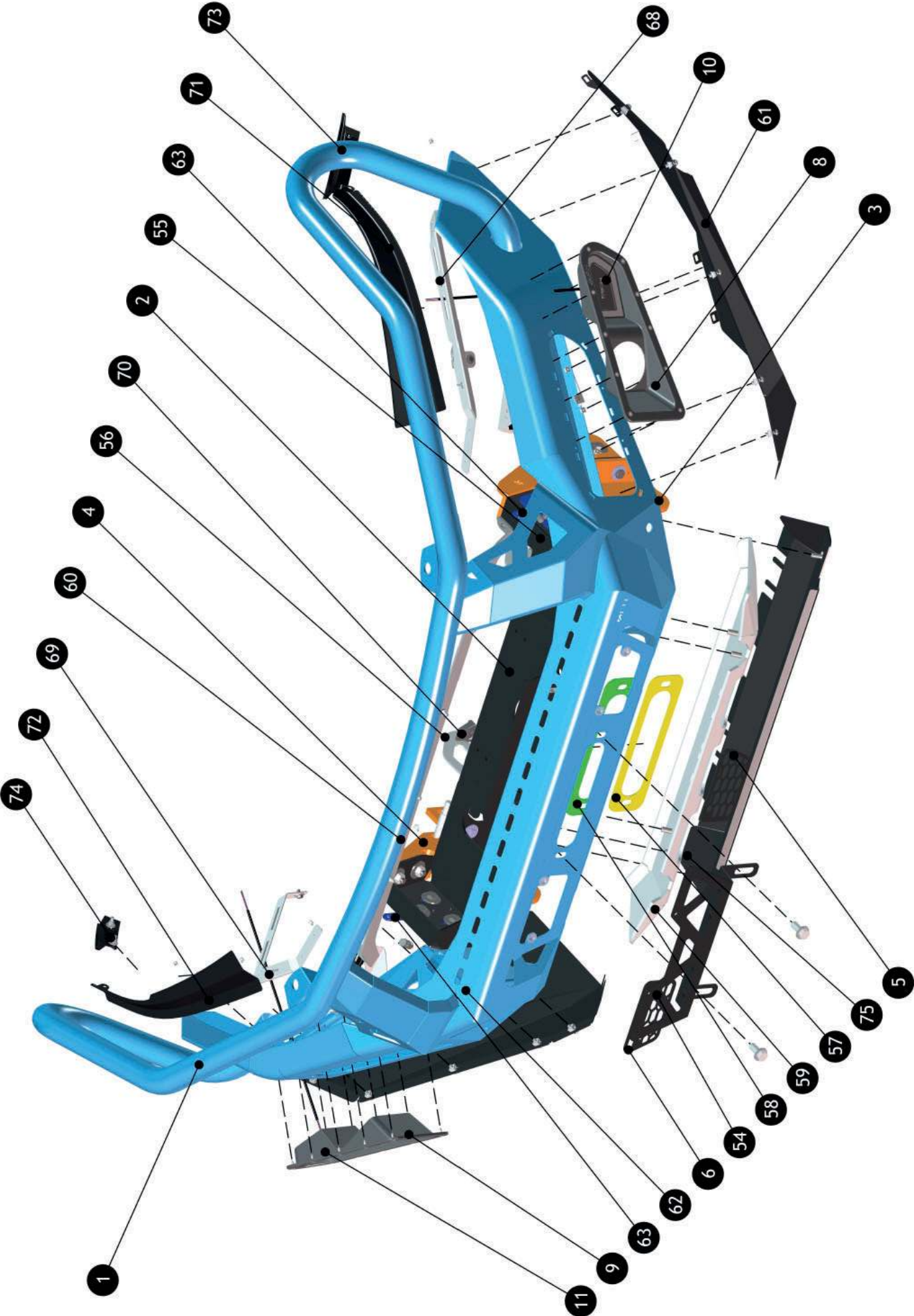


- In this section you have a checklist with all parts included for the installation of your AFN product
- This product should be installed as demonstrated in the product fitting instructions
- If verified that any component is damaged, please contact your nearest AFN distributor
- The specified parts will only fit in the models specified by AFN
- Do not modify any component of the product

This checklist is for the following products **48002698, 48002718 and 48002724**.  
The **only difference** is in **Bumper's Reference, 47002343, 47002378 and 47002389**, respectively.

NUMBER	DESCRIPTION	REFERENCE	QTY	NUMBER	DESCRIPTION	REFERENCE	QTY
1	Bull bar - Toyota Hilux 2020	47002343	1x	39	Washer M6	45001256	4x
2	Winch Bracket - Toyota Hilux 2020	47002344	1x	40	Rubber Nut	45001269	4x
3	Recovery Point - (Left Side)	47002345	1x	41	Bolt M10x30	45001519	4x
4	Recovery Point - (Right Side)	47002346	1x	42	Nylock Nut M8	45001521	2x
5	Bumper Grill (Left Side)	47002347	1x	43	Nylock Nut M6	45001522	4x
6	Bumper Grill (Right Side)	47002348	1x	44	Bolt M8x25	45001537	2x
7	Triple Nut Plate	48002349	2x	45	Bolt M12x35	45001545	6x
8	Fog Lights - (Right Side)	48002544	1x	46	Bolt M10x35	45001553	2x
9	Fog Lights - (Left Side)	48002545	1x	47	Bolt M6x12	45001560	4x
10	LED Light - DRL and Blinker (Right Side)	47002088	1x	48	Bolt M12x30	45001565	6x
11	LED Light - DRL and Blinker (Left Side)	47002089	1x	49	Bolt M12x35x1.25	45001587	2x
12	Bolt M10x35x1,25	45000184	2x	50	Bolt M10x25x1.25	45001589	2x
13	Bolt M12x90x35	45000266	6x	51	Lock Nut M10	45001707	6x
14	Nylock Nut M6 <small>STAINLESS STEEL</small>	45000294	4x	52	Lock Nut M12	45001710	12x
15	Bolt M6x20	45000387	4x	53	Plastic Washer M6	45001802	10x
16	Nylock Nut M5	45000402	4x	54	Plate Bracket	46005518	1x
17	Washer M6 <small>STAINLESS STEEL</small>	45000500	4x	55	Left Winch Reinforcement	46006519	1x
18	Bolt M5x10	45000877	4x	56	Right Winch Reinforcement	46006520	1x
19	Fog Lights - (Left Side)	45000896	1x	57	Front Winch Bracket Shim <b>2,5mm thickness</b>	46008193	1x
20	Fog Lights - (Right Side)	45000897	1x	58	Front Winch Bracket Shim <b>4mm thickness</b>	46008194	1x
21	Washer M4 <small>STAINLESS STEEL</small>	45000924	4x	59	Front Skid Plate ( <b>Upper</b> )	46009490	1x
22	Washer M8 <small>STAINLESS STEEL</small>	45000936	2x	60	Reinforcement for Spotlights	46009491	1x
23	Bolt M10x25 <small>STAINLESS STEEL</small>	45000956	4x	61	Left Wing	46009497	1x
24	Washer M6 <small>STAINLESS STEEL</small>	45000979	10x	62	Right Wing	46009498	1x
25	Washer M12 <small>STAINLESS STEEL</small>	45000995	4x	63	Side Winch Bracket Shim <b>4mm thickness</b>	46009501	2x
26	Bolt M8x25 <small>STAINLESS STEEL</small>	45000996	2x	64	Side Winch Bracket Shim <b>2,5mm thickness</b>	46009502	2x
27	Bolt M6x20 <small>STAINLESS STEEL</small>	45000998	14x	65	Shim for Recovery Point <b>4mm thickness</b>	46009503	2x
28	Cage Nut M6	45001012	10x	66	Aluminium Bracket for Fog Light (Left Side)	46009507	1x
29	Bolt M12x30 <small>STAINLESS STEEL</small>	45001027	2x	67	Aluminium Bracket for Fog Light (Right Side)	46009508	1x
30	Nylock Nut M12 <small>STAINLESS STEEL</small>	45001033	2x	68	Headlight Bracket (Left Side)	46009670	1x
31	Plastic Nut M3,5	45001113	16x	69	Headlight Bracket (Right Side)	46009671	1x
32	Bolt M3,5x16 <small>STAINLESS STEEL</small>	45001123	18x	70	Grill Bracket	46009672	1x
33	Flange Nut M4	45001166	8x	71	Headlight Plastic (Left Side)	46009673	2x
34	Bolt M4x12 <small>STAINLESS STEEL</small>	45001232	8x	72	Headlight Plastic (Right Side)	46009674	1x
35	Washer M12	45001250	30x	73	Side Plastic (Left Side)	46009675	1x
36	Washer M10	45001251	16x	74	Side Plastic (Right Side)	46009676	1x
37	Washer M6	45001252	4x	75	Lower Skid Plate	46009712	1x
38	Washer M8	45001255	4x	76	Steel Sleeve	46009773	6x





## 2 FITTING INSTRUCTIONS

### WARNING:

Before you begin installation, read all instructions thoroughly.  
Proper tools will improve the quality of installation and reduce the time required.

- This product should be installed as demonstrated in the *Product «Fitting Instructions»*;
- The specified parts, will only fit the models specified by **AFN**;
- Do not modify any component of the product;
- It is recommended that this product is installed by specialized and trained personnel;
- AFN doesn't take responsibility for changes made in the vehicle by its manufacturer;
- Work safely and use specialized tools at all times;
- **Always use protective gear.**

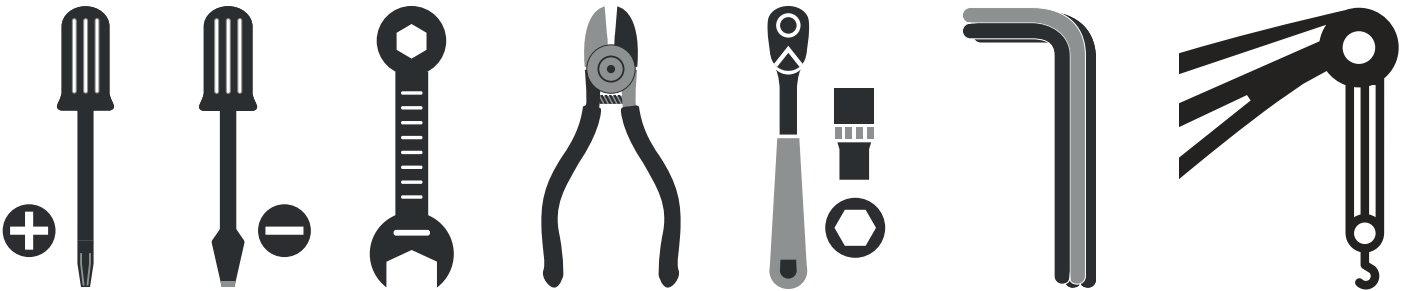


Size	Torque Nm	Torque lbft
M6	9 Nm	7 lbft
M8	22 Nm	16 lbft
M10	44 Nm	32 lbft
M12	77 Nm	57 lbft

### Mouting Time

- 3 hours
- 2 persons (recommended)

### Tools Required



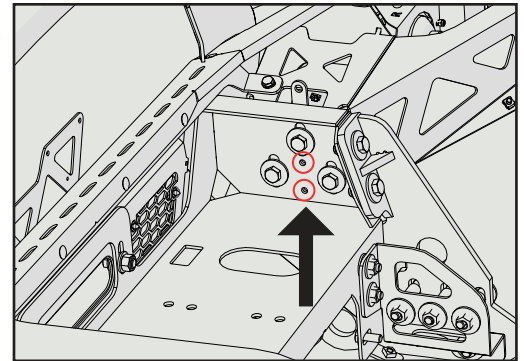
- Screwdriver star head
- Screwdriver flat head
- Wrench
- Wire cutter
- Ratchet wrench
- Allen wrench
- Crane

**ATTENTION! - READ THIS BEFORE YOU START FITTING THE AFN BULLBAR | BUMPER**

AFN has developed an easy and quick mounting system, where the assembly part combines both the AFN Bullbar | Front Bumper(1) and Winch Bracket(2) that is fitted on the vehicle, at once.

This assembly goes from factory, fully tightened with shims. This is what we call the «0 point of the AFN Bullbar | Front Bumper(1)».

The holes on the **Red Circles** must be correctly aligned in order to the AFN Bullbar | Bumper Assembly is on «0 point».



**ADJUSTING THE AFN BULLBAR | BUMPER**

Every AFN Bull Bar | Front Bumper is designed taking into consideration the vehicle's original lines.

In order to give a good response in terms of design, resistance and functionality, we've created some ways to adjust the AFN Bull Bar | Front Bumper to the vehicle, depending on the customer's preferences.

**1**

10x Bolts that fixes the Winch Bracket to the Vehicle.  
Horizontally (left and right) adjustments.

1 - When loosen -> allows the AFN Bull Bar | Front Bumper to be adjusted horizontally.

**2**

6x Bolts, 3x on each side, that fixes the Winch Bracket to the AFN Bull Bar | Front Bumper.  
Vertically (height) and depth adjustments.

2 - When loosen -> allows the AFN Bull Bar | Front Bumper to be adjusted vertically and depth.

**Step 1**

Remove the OEM\* bumper just as specified by the vehicle manufacturer in your maintenance manual. (Be aware that you must save the OEM bolts and nuts.)

Also remove the grill of the vehicle and be careful so you don't break the fasteners of the grill.

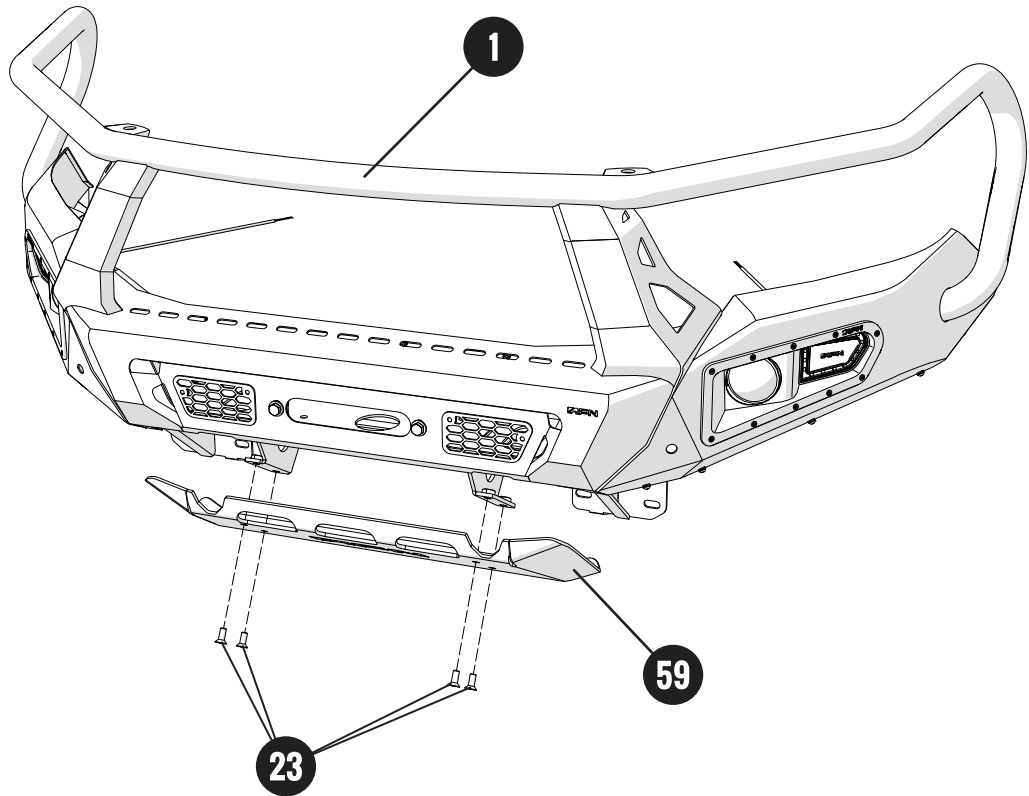
If you done it correctly this is what it should look like.



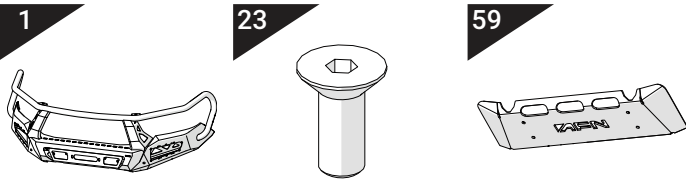
\*OEM - Original Equipment Manufacturer

**Step 2 - Preparation of the AFN Bullbar | Front Bumper**

**Preview**



**Parts needed:**



**x1** Bull Bar HILUX REVO 2020 **x4** Bolt **M10x25** STAINLESS STEEL **x1** Front Skid Plate



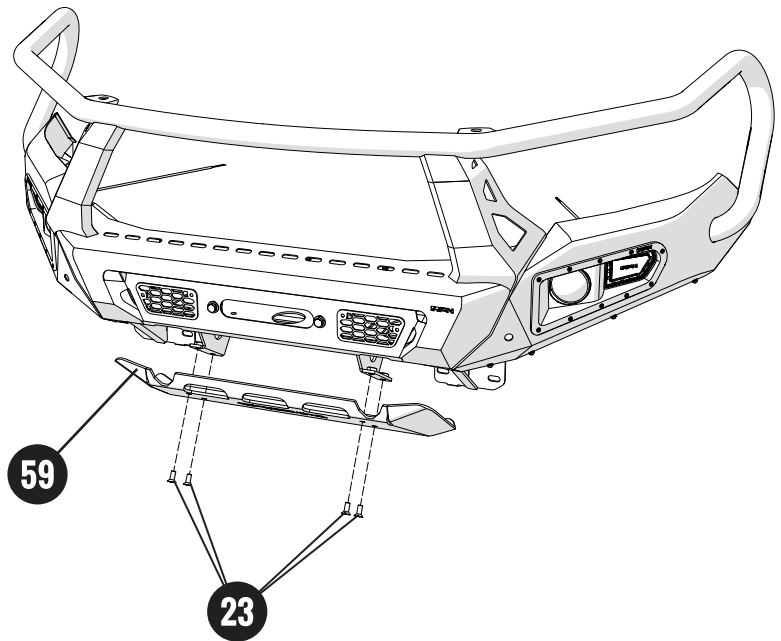
**Step 2 - Preparation of the AFN Bullbar | Front Bumper****Installation**

Before installing the **AFN Bullbar | Front Bumper(1)** on the vehicle there are some details that we advise to do first, in order to be easier the fitting into the vehicle.

Start by removing the **Front Skid Plate(59)** from the **AFN Bullbar | Front Bumper(1)**.

You may leave the 4x Bolts **M10x25(23)** finger tightened in the **Winch Bracket(2)**, so you don't loose them.

The **Front Skid Plate(59)** will be fitted again, later on. *(these bolts are already fitted on the Bumper)*



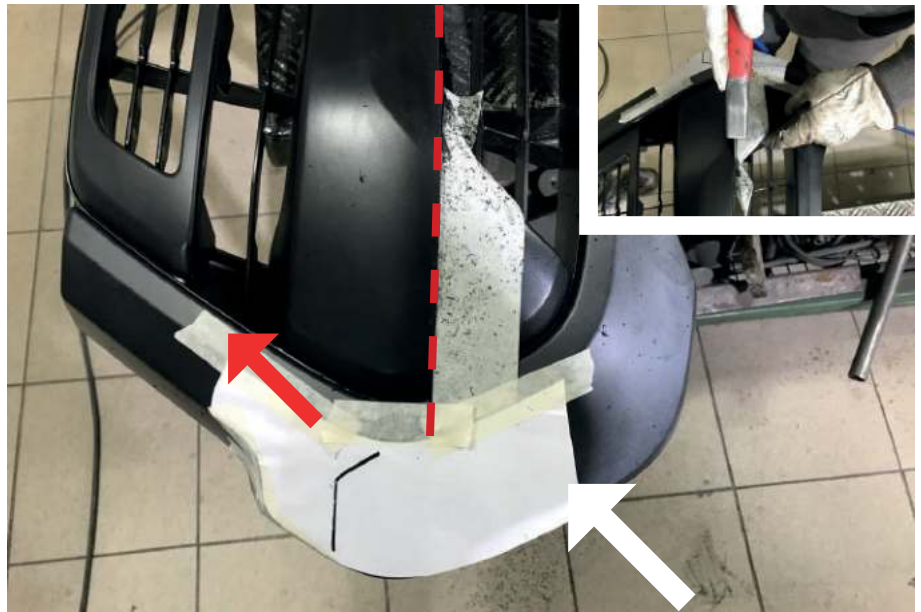
**Step 3 - Cutting the OEM Grill Bracket**

**Installation**

Use the supplied templates to cut the OEM\* Grill. (see page 29)

Bear in mind that this a precision task, so please take time to correctly apply the template and trim the Grill. See the **Red Arrow** at the template that indicates the orientation of it.

You may apply some tape to mark the trimming line and secure the supplied molds.

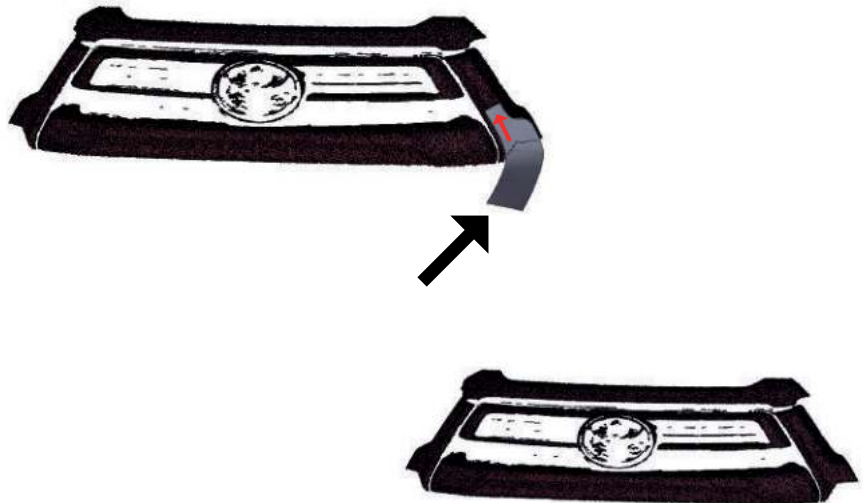


Check the illustration to correctly fit the template.

Repeat this step on the other side.

Once that is done, start cutting the OEM\* Grill.

You may have to do the final touches in the trimming the grill. When it's done, and if you want to do a cleaner job, you may use a file to smooth the rough edges.



**FRONT VIEW**

If you done it right, it should look like in the image on the right.





**Step 4 - Fitting the OEM Grill Bracket****Installation**

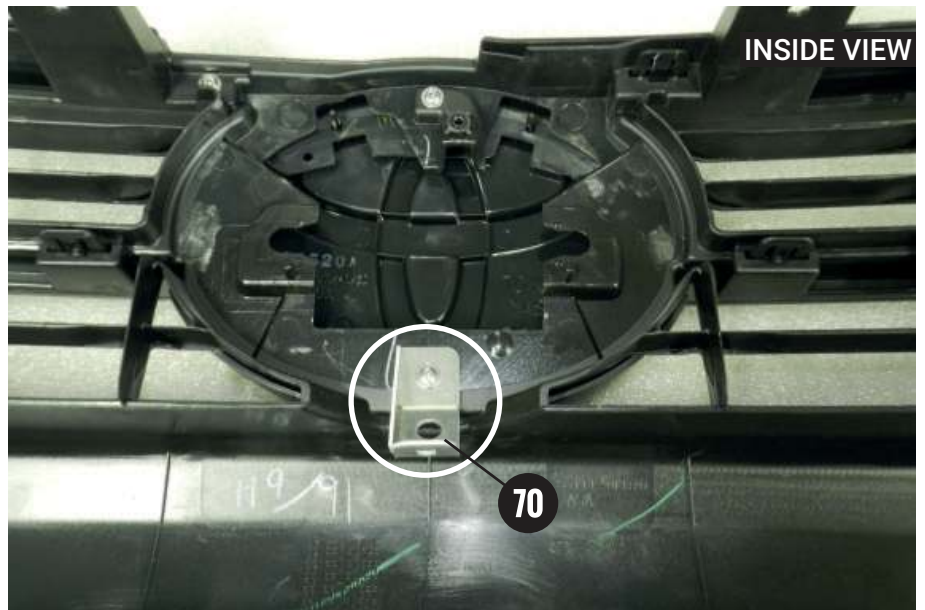
Once the *OEM\** Grill is trimmed, turn it around and go to the "Toyota Badge".

Fit the supplied **Grill Bracket(70)**.

Loosen the **Lower OEM\*** Bolt and reuse it to fit the **Grill Bracket(70)**.

**Give the final torque.**

If you done it correctly this is what it should look like.



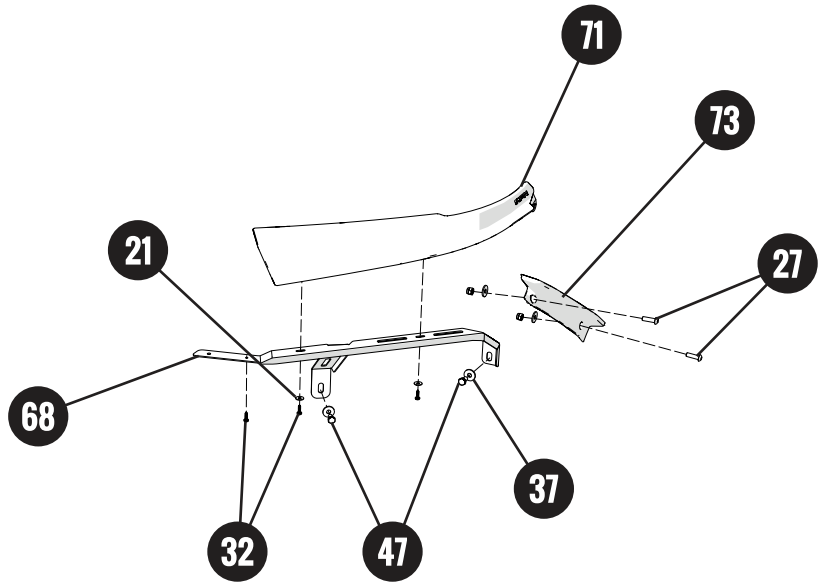
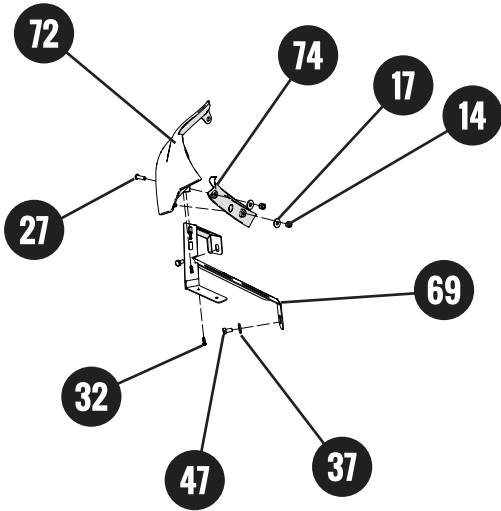
Fit back the *OEM\** Grill in the vehicle.

Reuse the *OEM\** Bolts, that you previously removed on the highlighted areas (circles), to fit back the *OEM\** Grill.

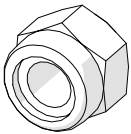
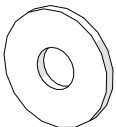
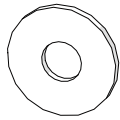
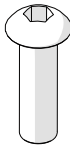
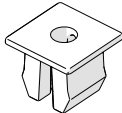
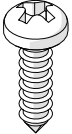
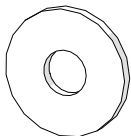
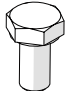
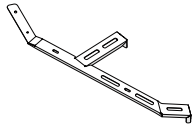
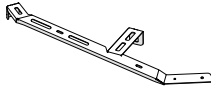


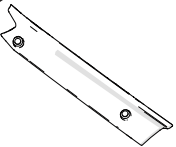
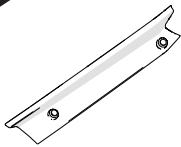


**Step 5 - Fitting the Headlight Brackets**

**Preview**



**Parts needed:**

- |  |  |  |   |  |  |
|--|--|--|---|--|--|
| <p><b>14</b></p>  | <p><b>17</b></p>  | <p><b>21</b></p>  | <p><b>27</b></p>   | <p><b>31</b></p>  | <p><b>32</b></p>  |
| <p>x4 Nylock Nut M6</p>  | <p>x4 Washer M6</p>  | <p>x4 Washer M4</p>  | <p>x4 Bolt M6x20</p>  | <p>x4 Plastic Nut M3,5</p>   | <p>x6 Bolt M3,5x16</p>   |
| <p><b>37</b></p>  | <p><b>47</b></p>  | <p><b>68</b></p>  | <p><b>69</b></p>  | <p><b>71</b></p>  | <p><b>72</b></p>  |
| <p>x4 Washer M6</p>  | <p>x4 Bolt M6x12</p>   | <p>x1 Headlight Bracket Left Side</p>  | <p>x1 Headlight Bracket Right Side</p>  | <p>x1 Headlight Plastic Left Side</p>  | <p>x1 Headlight Plastic Right Side</p>   |
| <p><b>73</b></p>  | <p><b>74</b></p>  |  |   |  |  |
| <p>x1 Side Plastic Left Side</p>   | <p>x1 Side Plastic Right Side</p>  |  |   |  |  |



## Step 5 - Fitting the Headlight Brackets

## Installation

Before fitting the **AFN Bullbar | Front Bumper(1)** on the vehicle there are some details that we advise to do first.

Start with **Left Headlight Plastic(71)** and fit 2x Plastic Nuts(31) on it, just like the image on the right.

Then, fit the **Left Headlight Plastic(71)** on the **Left Headlight Bracket(68)**, using 2x Bolts **M3,5x16(32)** and 2x Washers **M4(21)**.

Once that is done, fit that **assembly** on the vehicle. *(see picture below)*

Use 2x Bolts **M6x12(47)** with 2x Washers **M6(37)**.

### Give the final torque.

Once it is in place, fit above the **Left Side Plastic(73)**, using 2x Bolts **M6x20(27)** with 2x Washers **M6(17)** and 2x Nylock Nuts(14).

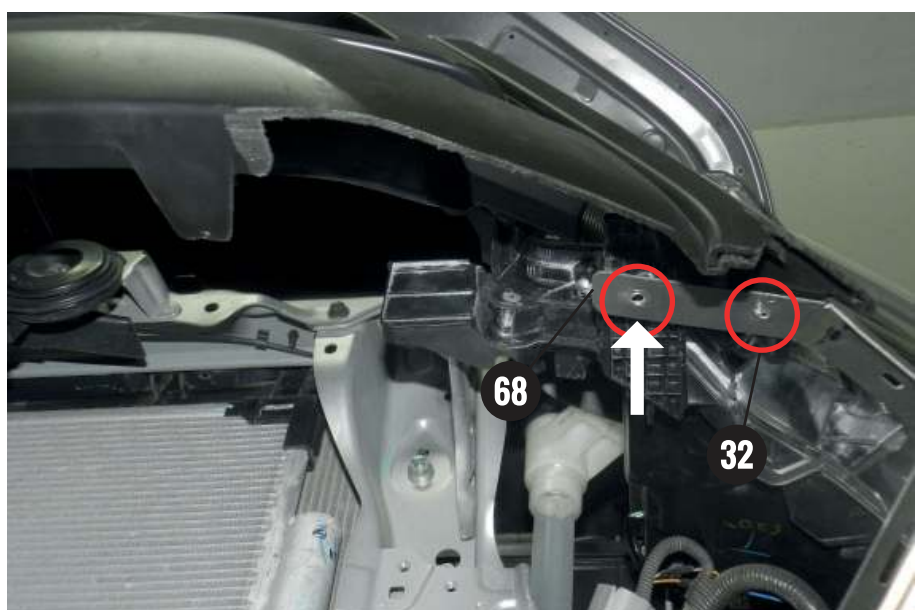
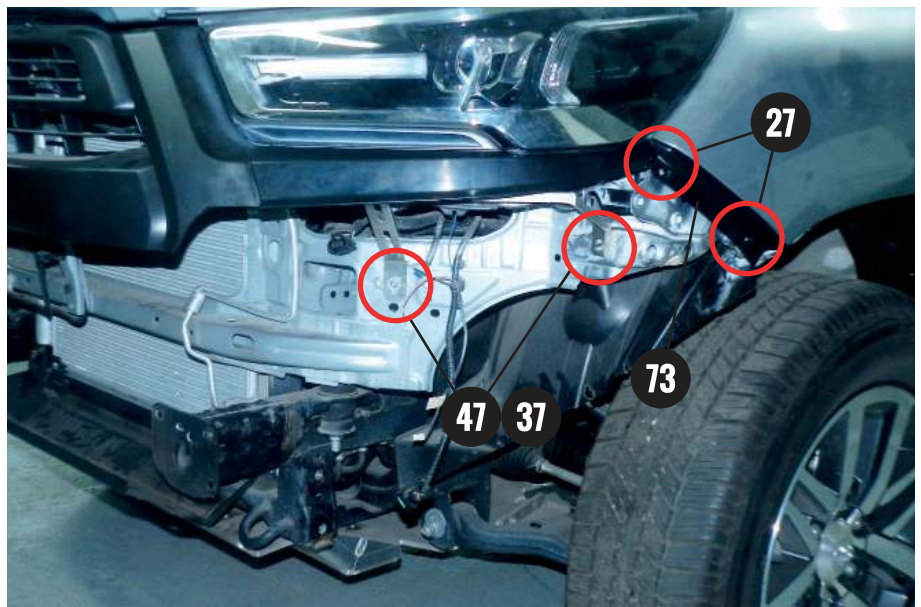
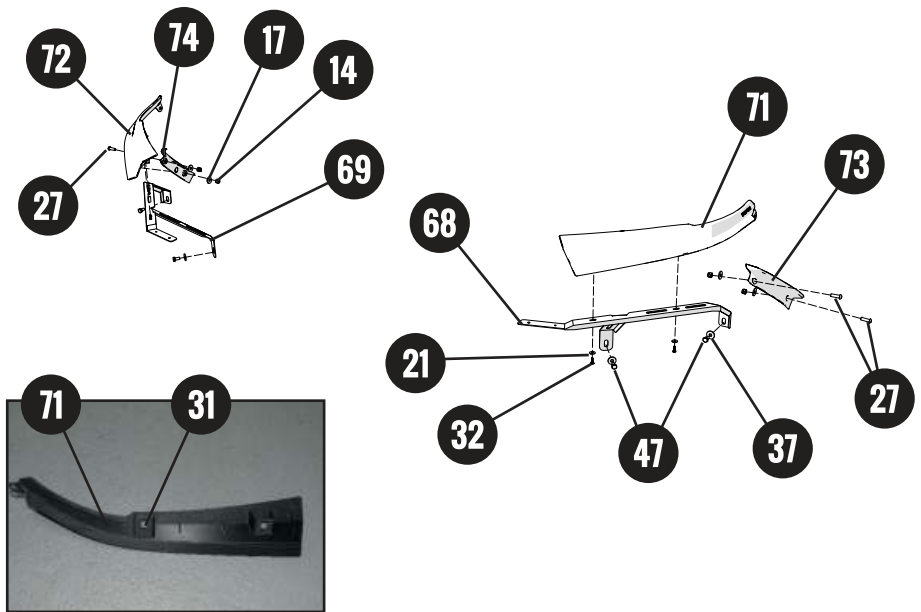
### Give the final torque.

Repeat all of these steps for the other side, using **Right Headlight Bracket(69)** with **Right Headlight Plastic(72)** and **Right Side Plastic(74)**.

After the **Left Headlight Bracket(68)** is fitted, screw 1x Bolt **M3,5x16(32)**, then use a drill to make a hole on the **OEM\* Grill, where the arrow is**.

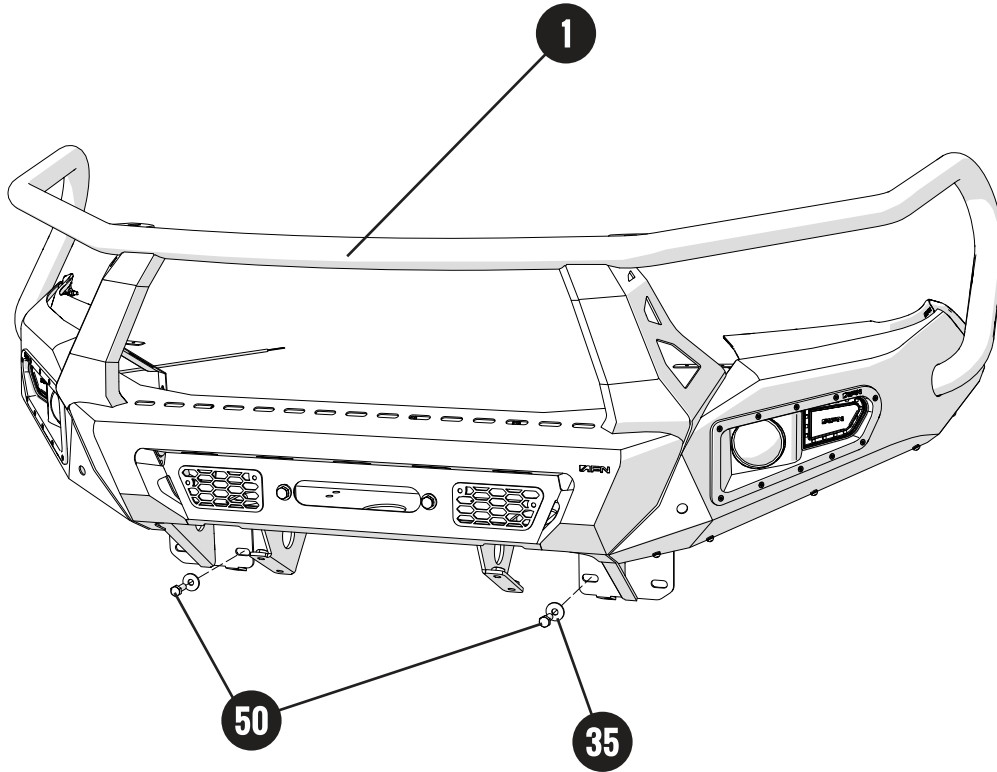
Afterwards, use the **OEM\* Bolt**.

Repeat this step for the other side.

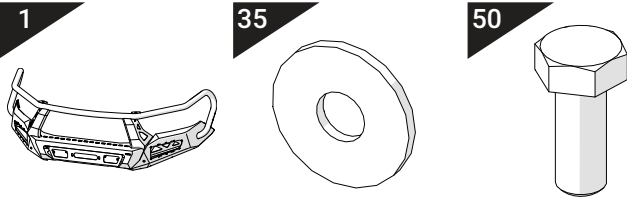


**Step 6 - Fitting the AFN Bumper and Winch Bracket Assembly on Chassis**

**Preview**



**Parts needed:**



**x1** Bull Bar HILUX REVO 2020 **x2** Washer M12

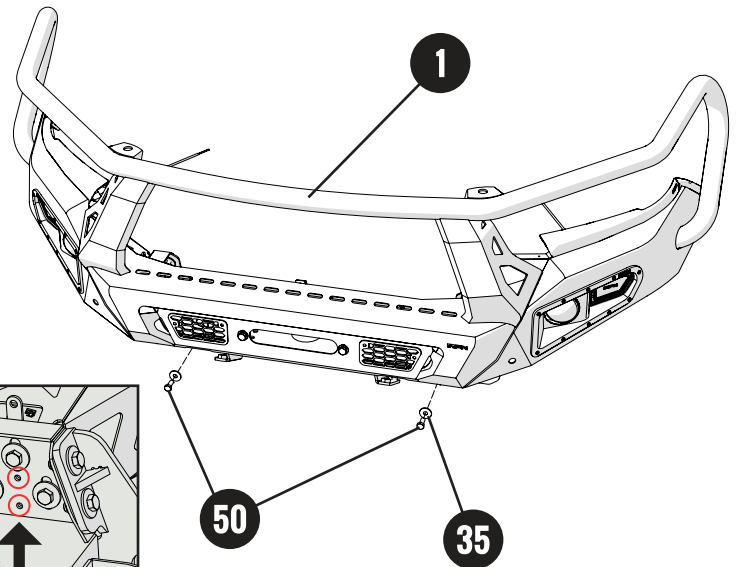
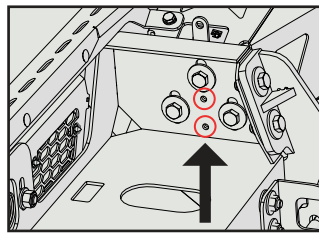
**x2** Bolt M10x25x1.25



**Step 6 - Fitting the AFN Bumper and Winch Bracket Assembly on Chassis****Installation****ATTENTION!**

AFN has developed an easy and quick mounting system, where the assembly part combines both the AFN Bullbar | Front Bumper(1) and Winch Bracket(2) that is fitted on the vehicle, at once. This assembly goes from factory, fully tightened with shims. This is what we call the «0 point of the AFN Bullbar | Front Bumper(1)».

The holes on the **Red Circles** must be correctly align in order to the AFN Bullbar | Bumper Assembly is on «0 point».



So, with help of another person or a crane, lift the **AFN Bullbar | Bumper Assembly** and fit it in the vehicle, as shown in the image.

Use 2x Bolts **M10x25x1.25(50)**, with 2x Washers **M10(35)**, in the middle.

Just finger tight all bolts

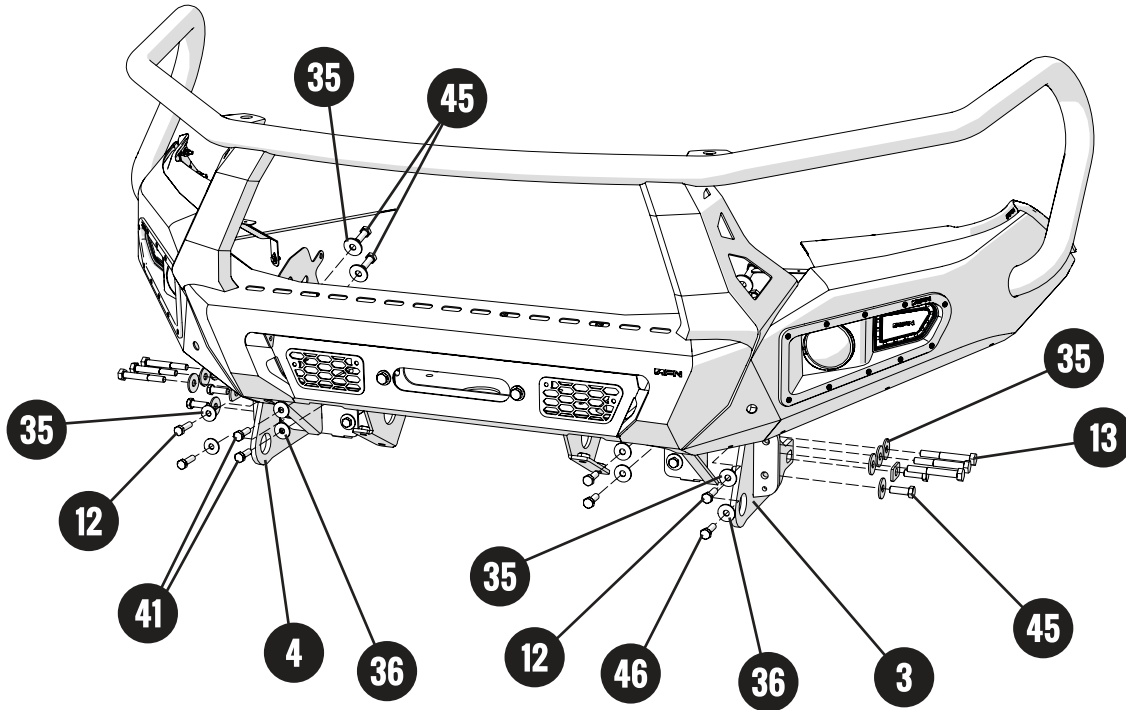
**Do Not tighten yet.**

If you have done it correctly, this is what it should look like.

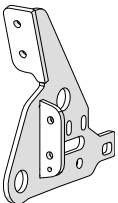
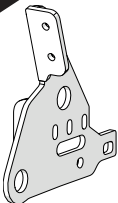
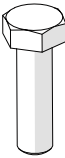
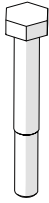
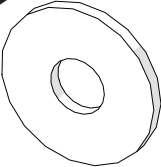
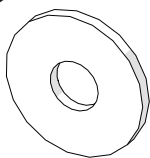
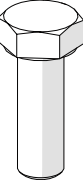
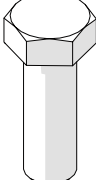
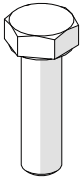
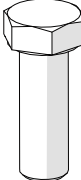
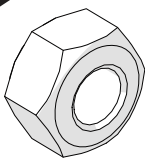
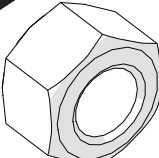
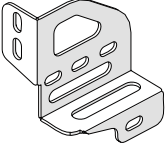
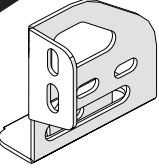
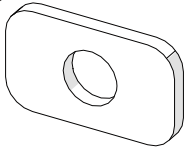
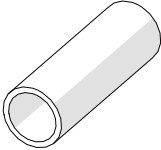


**Step 7 - Fitting the AFN Recovery Points on Winch Bracket and Chassis**

Preview



**Parts needed:**

- |  |   |  |  |  |   |
|--|---|--|--|--|---|
| <b>3</b><br><br><b>x1</b> Winch Reinforcement<br>Left Side  | <b>4</b><br><br><b>x1</b> Winch Reinforcement<br>Right Side  | <b>12</b><br><br><b>x2</b> Bolt M10x35x1.25                     | <b>13</b><br><br><b>x6</b> Bolt M12x90x35   | <b>35</b><br><br><b>x24</b> Washer M12  | <b>36</b><br><br><b>x14</b> Washer M10   |
| <b>41</b><br><br><b>x4</b> Bolt M10x30                      | <b>45</b><br><br><b>x6</b> Bolt M12x35                       | <b>46</b><br><br><b>x2</b> Bolt M10x35                          | <b>49</b><br><br><b>x2</b> Bolt M12x35x1.25 | <b>51</b><br><br><b>x6</b> Lock Nut M10 | <b>52</b><br><br><b>x12</b> Lock Nut M12 |
| <b>55</b><br><br><b>x1</b> Winch Reinforcement<br>Left Side | <b>56</b><br><br><b>x1</b> Winch Reinforcement<br>Right Side | <b>65</b><br><br><b>x2</b> Shim Recovery Point<br>4mm thickness | <b>76</b><br><br><b>x6</b> Steel Sleeve    |  |   |

**Step 7 - Fitting the AFN Recovery Points on Winch Bracket and Chassis**

**Installation**

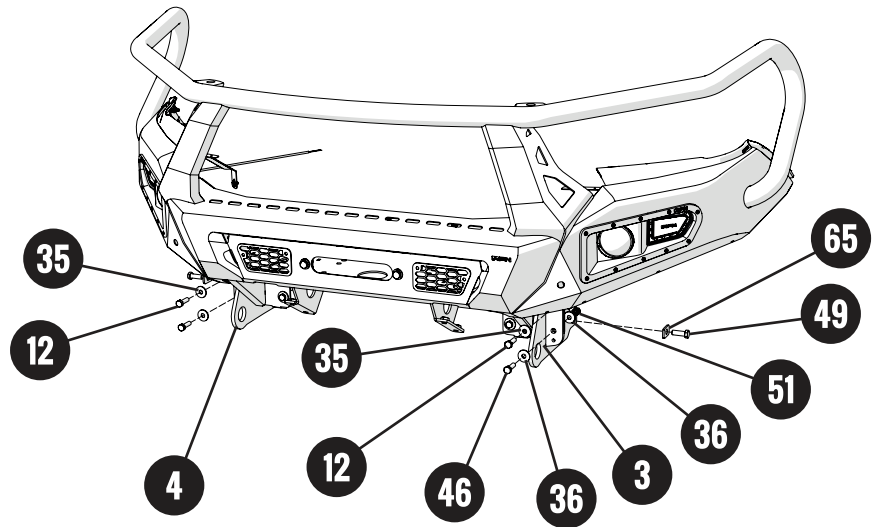
Once the **Assembly** is fitted, it's time to fit **Left Recovery Point(3)** connecting the **Winch Bracket(2)** to the **Chassis**.

Use 1x Bolt **M10x35x1.25(12)**, with 1x Washer **M10(36)**, on top.

Use 1x Bolt **M10x35(46)**, with 2x Washers **M10(36)** and 1x Lock Nut **M10(51)**, on bottom.

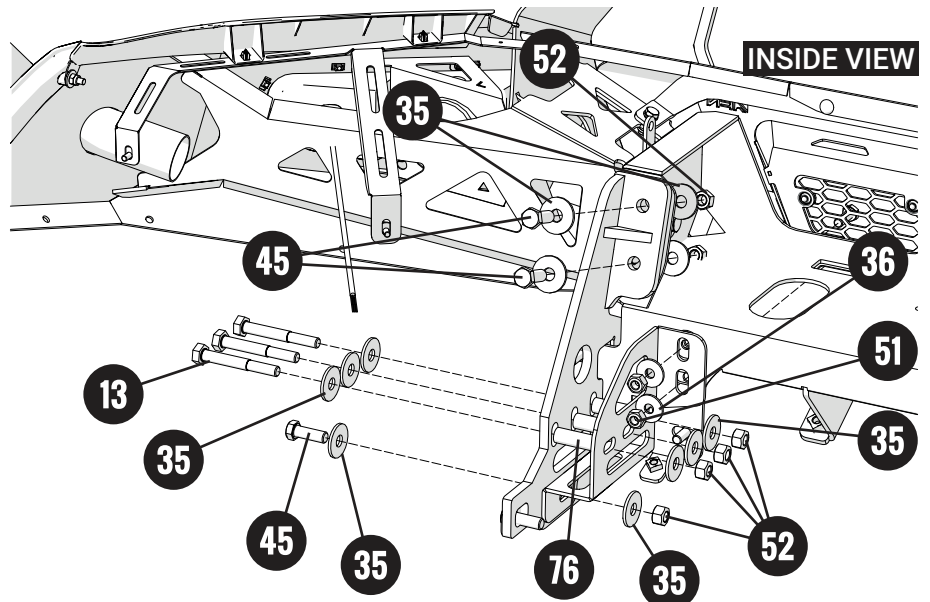
Then, on the side, use 1x Bolt **M12x35x1.25(49)** with Shim **4mm(65)**.

*On the bolts that fit directly into the chassis be careful so you don't damage the Chassis' thread pitch.*



Then, use 2x Bolts **M12x35(45)**, with 4x Washers **M12(35)** and 2x Lock Nuts **M10(52)**.

Once the **Left Recovery Point(3)** is fitted, use the **Left Winch Reinforcement(55)**.



**Top:**

Use 2x Bolts **M10x30(41)**, with 4x Washers **M10(36)** and 2x Lock Nuts **M10(51)**.

**Bottom:**

Use 1x Bolt **M12x35(45)**, with 2x Washers **M12(35)** and 1x Lock Nut **M10(52)**.

**Side:**

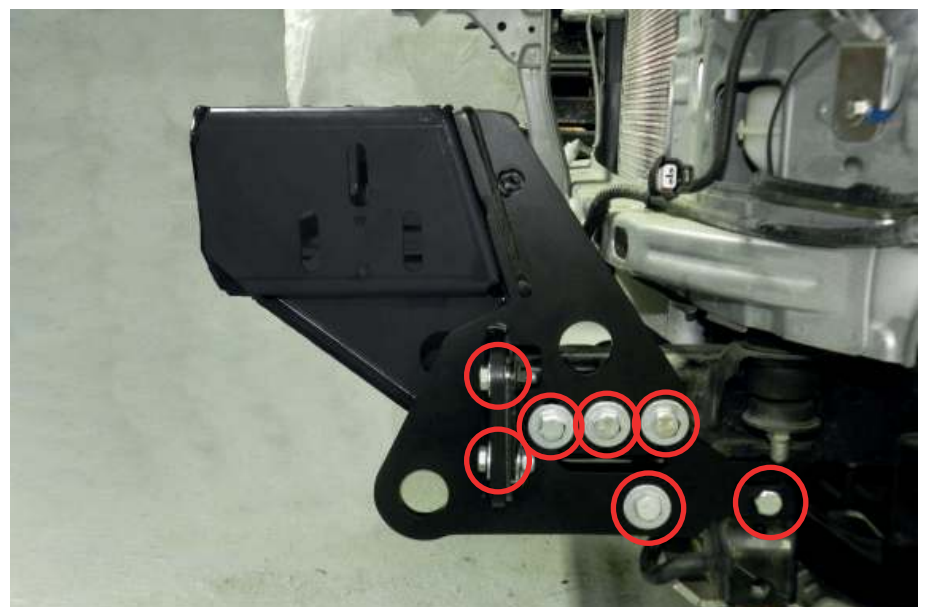
Use 3x Bolts **M12x90x35(13)**, with 6x Washers **M12(35)**, 3x Steel Sleeves(**76**) and 3x Lock Nuts **M12(52)**.

Repeat all of these steps for the other side, using **Right Recovery Point(4)** and on **Right Winch Reinforcement(56)**.

Just finger tight all bolts

**Do Not tighten yet.**

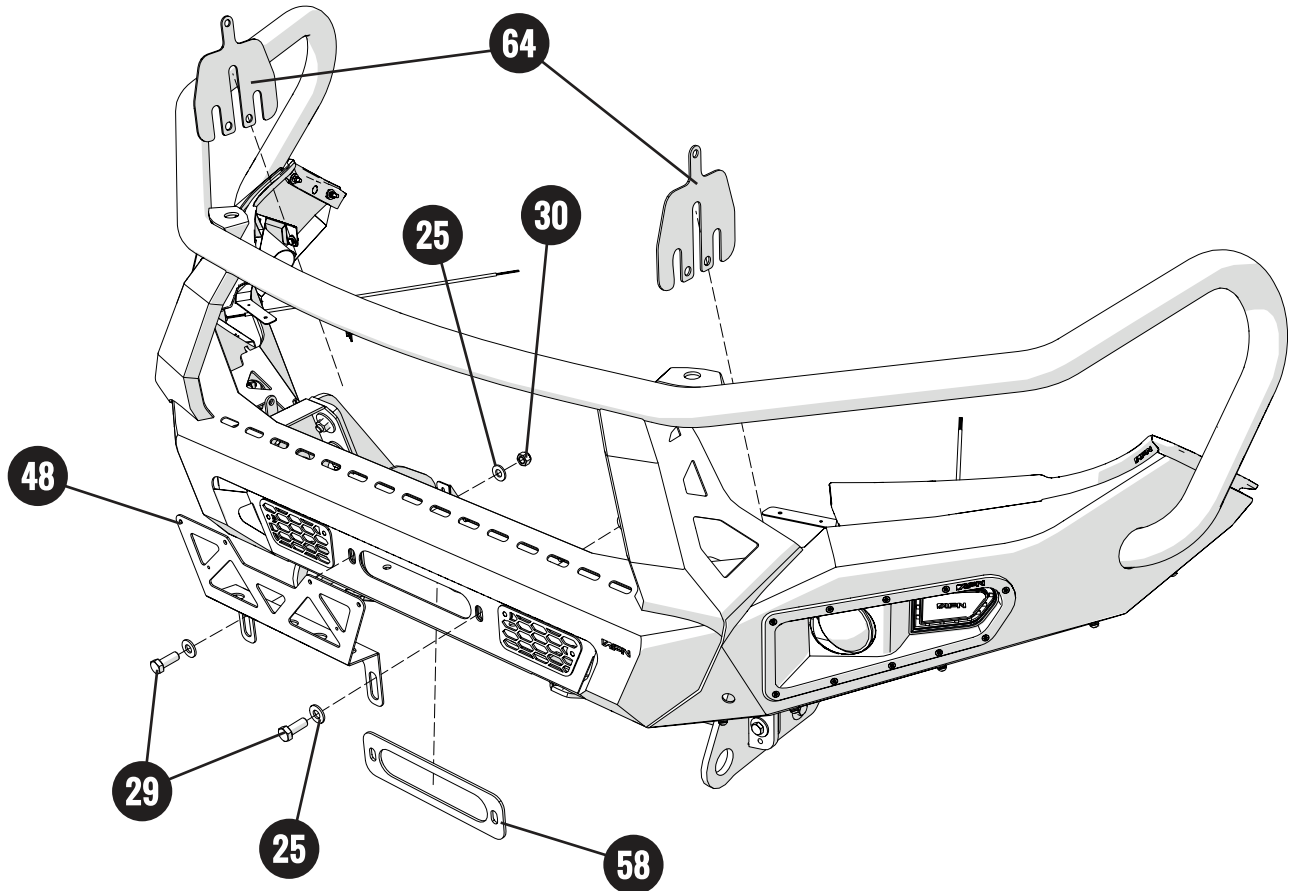
If you have done it correctly, this is what it should look like.



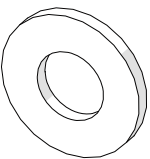
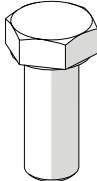
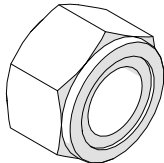
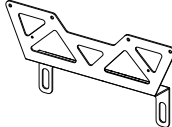
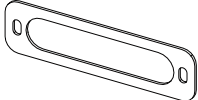
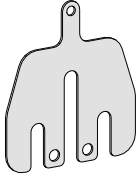


**Step 8 - Full tightening the AFN Bullbar | Front Bumper**

Preview



**Parts needed:**

- |  |   |  |   |  |   |
|--|---|--|---|--|---|
| <p><b>25</b></p>  <p><small>STAINLESS STEEL</small></p> <p><b>x4</b> Washer M12</p> | <p><b>29</b></p>  <p><small>STAINLESS STEEL</small></p> <p><b>x2</b> Bolt M12x30</p> | <p><b>30</b></p>  <p><small>STAINLESS STEEL</small></p> <p><b>x2</b> Washer M12</p> | <p><b>48</b></p>  <p><b>x1</b> Plate Bracket</p> | <p><b>58</b></p>  <p><b>x1</b> Front Winch Bracket Shim<br/>2,5mm thickness</p> | <p><b>64</b></p>  <p><b>x2</b> Side Winch Bracket Shim<br/>4mm thickness</p> |
|--|---|--|---|--|---|

**Step 8 - Full tightening the AFN Bullbar | Front Bumper**

**Installation**

Start by loosen the 2x Bolts of the Center in the **AFN Bullbar | Front Bumper(1)**, one at a time.

Then, fit the **Plate Bracket(48)** using the same 2x Bolts **M12x30(29)** with 4x Washers **M12(25)** and 2x Nylock Nuts **M12(30)**. *(these bolts are already fitted on the Bumper)*

Now, it's time to check if the **AFN Bullbar | Bumper(1)** is in the correctly align to the **Vehicle**.

If not, loosen the **Bolts of the Winch Mount** and **ADD/REMOVE** the shims, depending on what suits better between the **AFN Bullbar | Bumper(1)** and the **Vehicle**.

The side shims(63) and (64) allows the corners of the **AFN Bullbar | Bumper(1)** to open or to close, depending if they are fitted or not.

The front shims(57) and (58) shortens or extends the distance of the **AFN Bullbar | Bumper(1)** to the **Vehicle's fenders**.

Mind that this is a precision task, please take time to correctly assemble this step.

*Use them only if you have to, they are optional and may not be needed.*

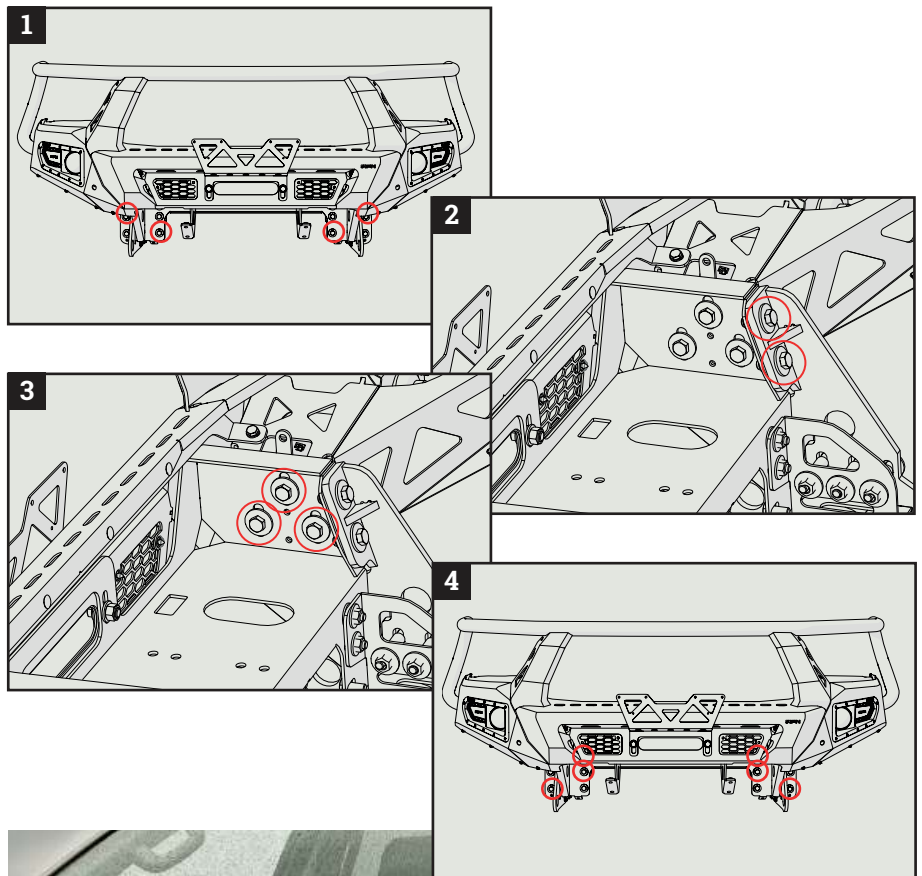
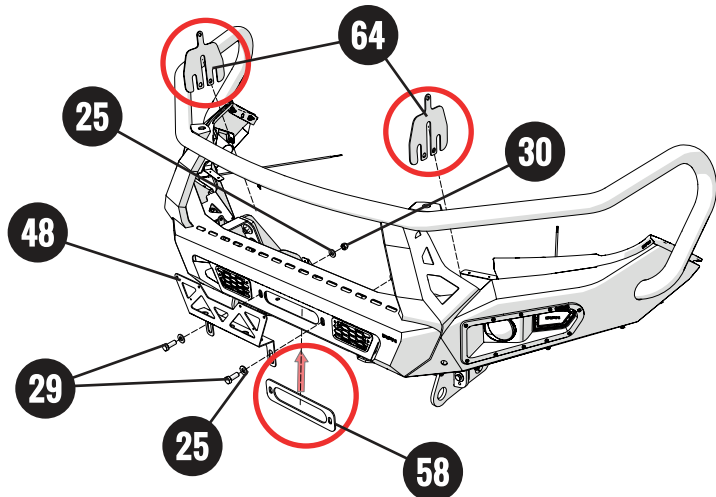
Once the **AFN Bullbar | Bumper(1)** is in place, there is a tightening order to it.

**Tightening order:**

- 1** - Start by the **4x Bolts** on the chassis;
- 2** - Then, the **4x Bolts** on top of the Winch bracket;
- 3** - The **5x Bolts** on each side, of the Reinforcements;
- 4** - Finally, the **6x Bolts** of the Winch Bracket, in the front;

**Check the Initial notes on adjusting the Bumper, on page 7.**

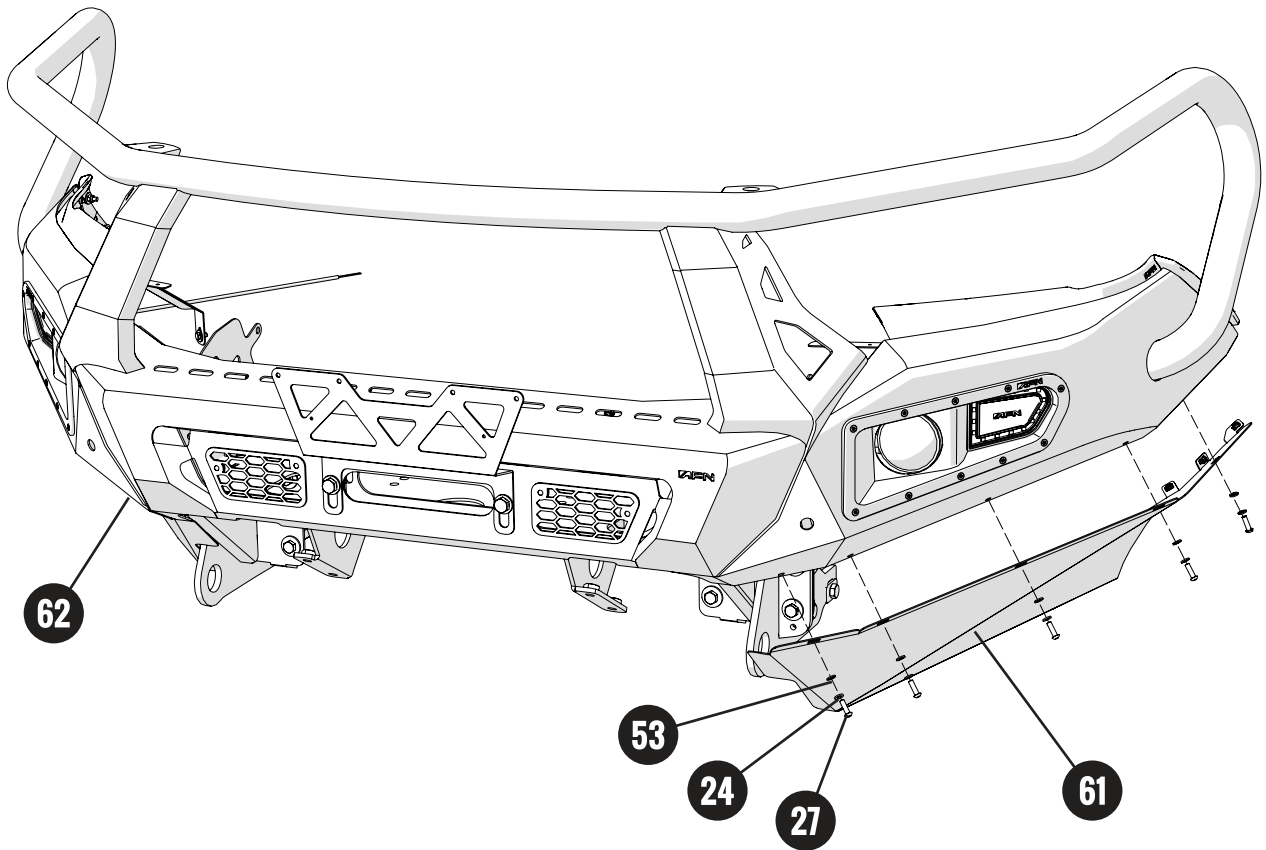
Once everything is correctly fitted, **Give the final torque.**



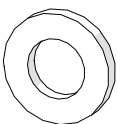
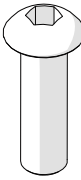
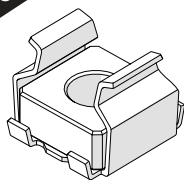
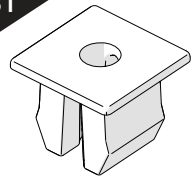
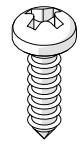
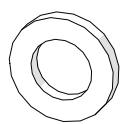
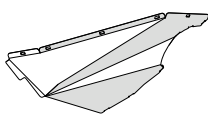
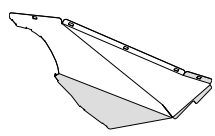
\*OEM - Original Equipment Manufacturer

**Step 9 - Fitting the Wings in the AFN Bullbar | Bumper**

Preview



**Parts needed:**

- |  |   |  |  |   |  |
|--|---|--|--|---|--|
| <p><b>24</b></p>  <p><small>STAINLESS STEEL</small></p> <p><b>x10 Washer M6</b></p> | <p><b>27</b></p>  <p><small>STAINLESS STEEL</small></p> <p><b>x10 Bolt M6x20</b></p> | <p><b>28</b></p>  <p><b>x10 Cage Nut M6</b></p> | <p><b>31</b></p>  <p><b>x12 Plastic Nut M3,5</b></p> | <p><b>32</b></p>  <p><small>STAINLESS STEEL</small></p> <p><b>x12 Bolt M3,5x16</b></p> | <p><b>53</b></p>  <p><b>x10 Plastic Washer M6</b></p> |
| <p><b>61</b></p>  <p><b>x1 Left Wing</b></p>  | <p><b>62</b></p>  <p><b>x1 Right Wing</b></p>  |  |  |   |  |



**Step 9 - Fitting the Wings in the AFN Bullbar | Bumper**

**Installation**

Take on **Left Wing(61)** and fit it on the **AFN Bullbar | Front Bumper(1)**.

But first we advise to fit 5x Cage Nuts **M6(28)**.

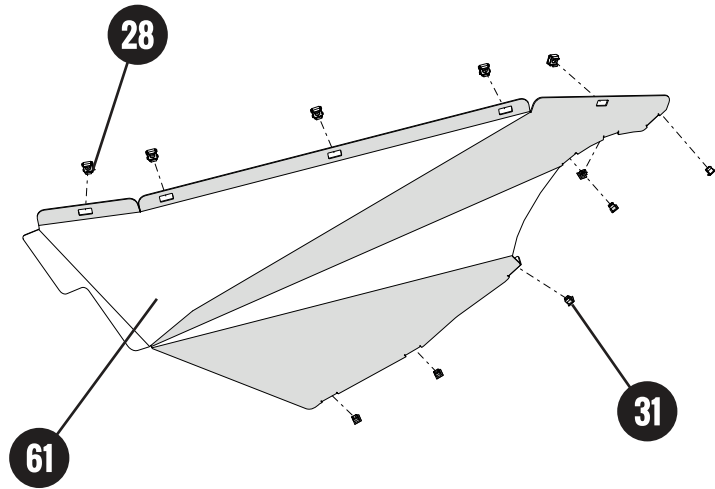
On the Rear, fit 6x Plastic Nuts **M3,5(31)**.

**Tip1:**

You may use a screwdriver to easily fit the 10x Cage Nuts(28).

**Tip2:**

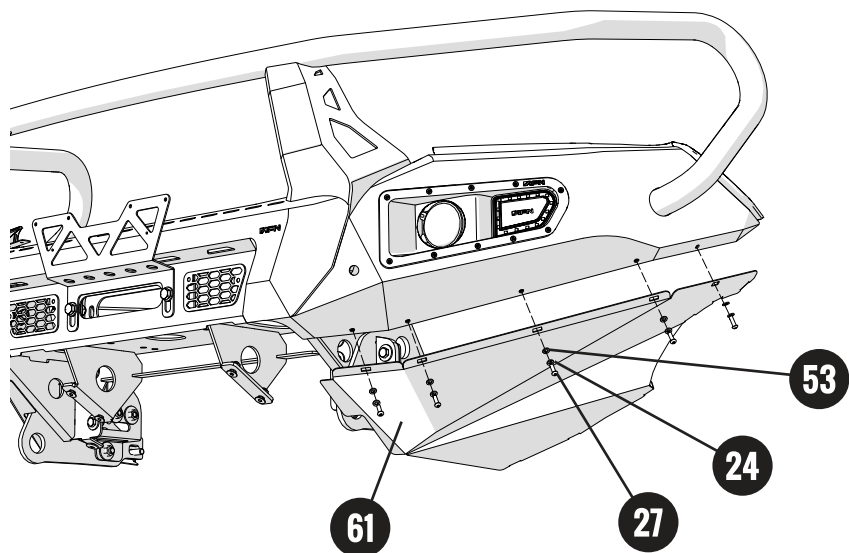
You may use a rubber mallet to easily fit the 12x Plastic Nuts(31).



Once that is done, fit the **Left Wing(61)** in the **AFN Bullbar | Bumper(1)**.

Use 5x Bolts **M6x20(27)** with 5x Washers **M6(24)** and 5x Plastic Washers **M6(53)**.

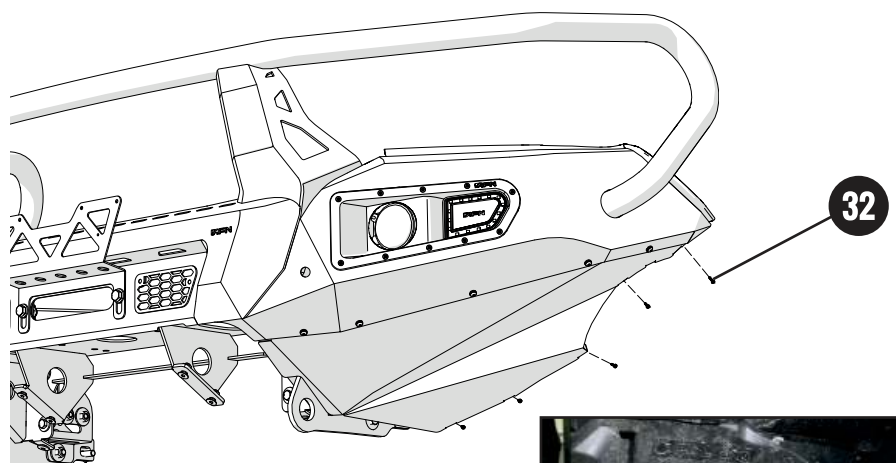
**Give the final torque.**



Move the **Plastic fender** against the **Left Wing(61)** and mark the cut line. then cut **OEM\*** plastic fender.

After the **Plastic fender** is cutted, move it to the inside of the **Left Wing(61)** and drill a **7mm** diameter hole.

Then, move the **Plastic fender** to the outside of the **Left Wing(61)** and fit them through these holes using 6x Bolts **M3,5x16(32)**.



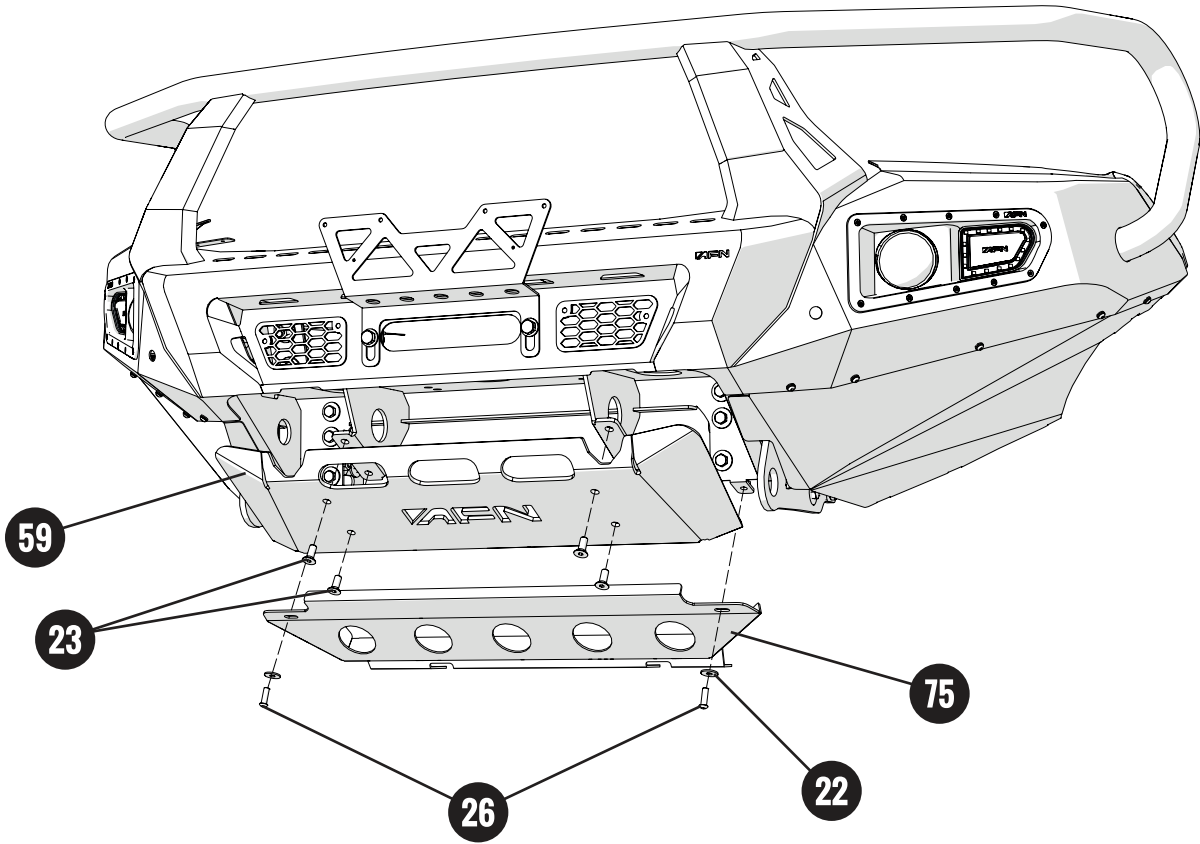
Repeat all these steps on the other side for the **Right Wing(62)**.

**Give the final torque.**

\*OEM - Original Equipment Manufacturer

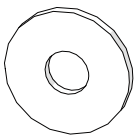
**Step 10 - Fitting the Skid Plates in the AFN Bullbar | Bumper**

Preview



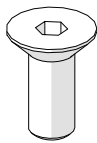
**Parts needed:**

22



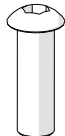
x2 Washer M8

23



x4 Bolt M10x25

26



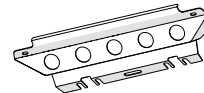
x2 Bolt M8x25

59



x1 Front Skid Plate

75



x1 Lower Skid Plate

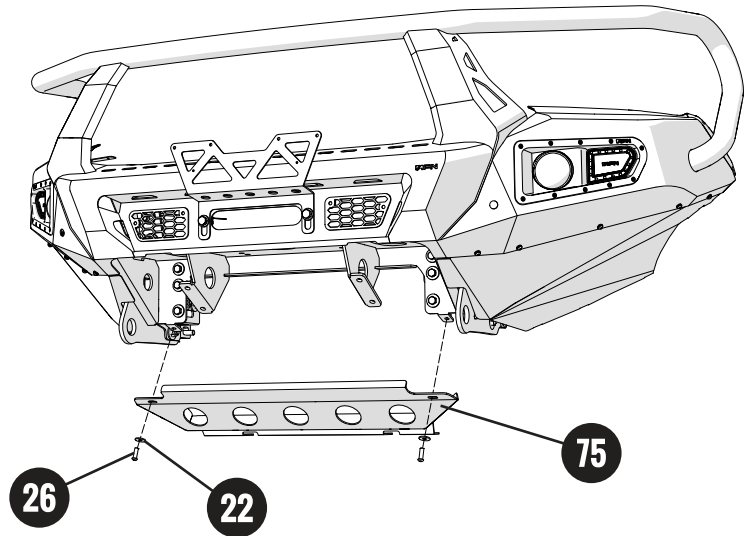
**Step 10 - Fitting the Skid Plates in the AFN Bullbar | Bumper****Installation**

Finally, it's time to fit the Skid Plates. First the **Lower Skid Plate(75)** and fit it beneath **AFN Bullbar | Front Bumper(1)**.

Use 2x Bolts **M8x25(26)** with 2x Washers **M8(22)**.

Just finger tight all bolts

**Do Not tighten yet.**

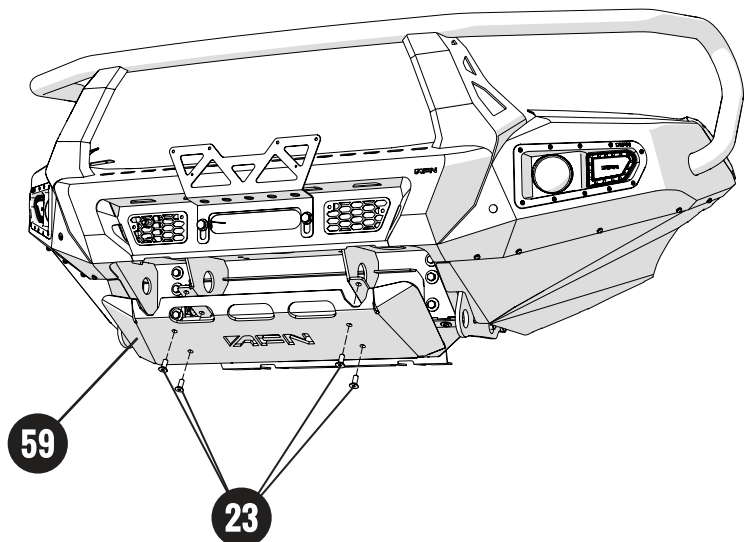


Then, **Front Skid Plate(59)** and fit it on the **Winch Bracket(2)**.

Use 4x Bolts M10x25(**23**).

Once everything is correctly fitted,

**Give the final torque on all bolts.**





## Step 11 - Final Result

Your new **AFN BULLBAR | FRONT BUMPER** is now installed on your **Toyota HILUX REVO!**

Have Fun!



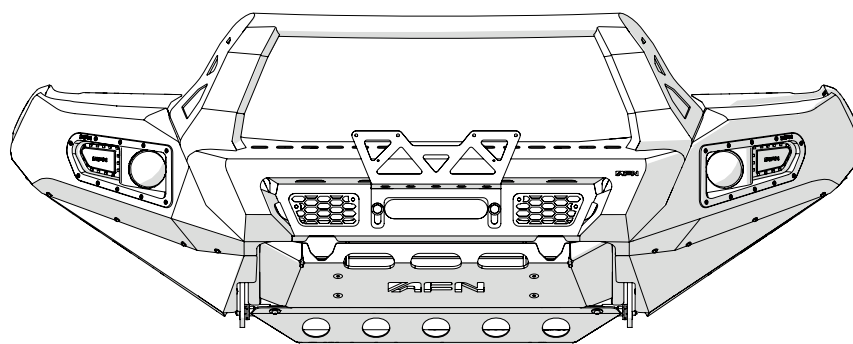
## Reminder !

Before operating a vehicle fitted with an **AFN Bullbar | Front Bumper**:

- Make sure all fittings are tightened
- Check winch operation (if installed)
- Check all electrical wiring attached to lights and parking sensors (if installed)

## Maintenance | Care

Periodically check and tighten all nuts. Stripped, fractured or bent bolts or nuts need to be replaced.





### 3 HILUX CATALOGUE

**AFN 4x4 Accessories** is becoming a well known brand for its products due to its quality, design and safety which are challenged for thousands of people everyday, worldwide.

In its diversity of products we can include, with all-terrain quality, protection, safety and aesthetic accessories. With that being said, **AFN 4x4** has some other accessories that every offroad passionate would like to have, such as **Body Protections, Underbody Protections, Light Holders, Storage** (Wheel Supports and Jerry-can carriers) and others related to the **Aesthetics**.

We have some 4x4 accessories that combine with the original model lines that if you take a closer look you will see that they don't appear to be an accessorie, but a must-have.

Please be in mind that some accessories are available only to some models.  
 Feel free to check all the products that may interest you in our website at: [www.afn.pt](http://www.afn.pt)



Ref.: 48002698 - Bull Bar with fog lights



Ref.: 48002718 - Front Bumper with fog lights



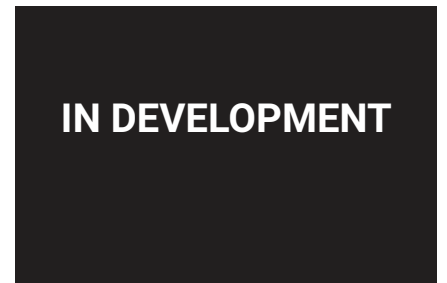
Ref.: 48002724 - Front Bumper with middle hoop



Ref.: 48002726 - Rear Step Bar with trailer hitch



Ref.: 48002302 - Side Steps



Ref.: 48002XXX - Nerf Bars

## 4 WARRANTY TERMS

**AFN4x4** products are warranted free from defects in materials and workmanship for a period of two (2) years from the date of initial retail purchase. Third-party components are delivered under the original manufacturer warranty.

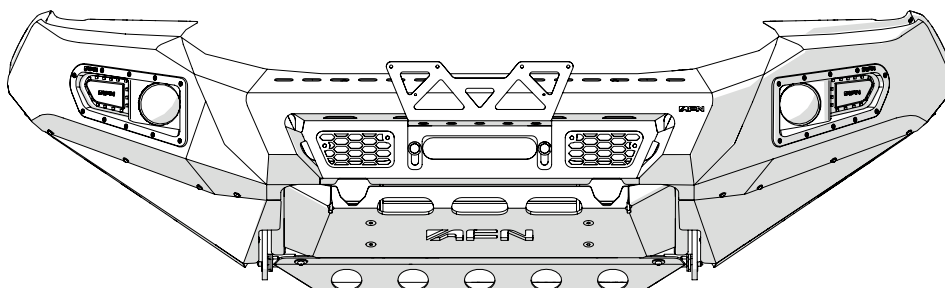
Under the present warranty, **AFN4x4** obligation shall be limited to repairing, replacing or crediting, at its option, any part found to be defective.

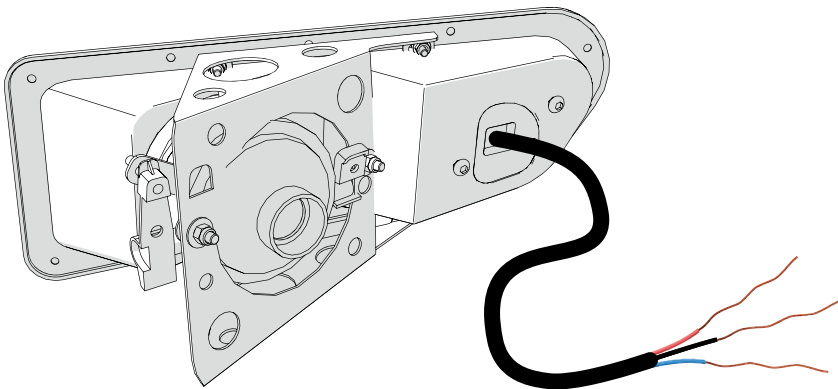
**AFN4x4** does not warrant or make any representations concerning its goods when:

- a) The products are purchased used, scratch and dent or when the box was opened.
- b) The products are not installed, used, and maintained strictly in accordance with **AFN4x4**'s instructions.
- c) The products are installed in vehicles that are used in competition.
- d) The products are installed in vehicles fitted with aftermarket non-standard tires with diameters in excess of OEM\* specifications.
- e) The products are installed in vehicles with engines that have been modified to increase performance.

**AFN4x4** will not be responsible for goods damaged in transit. If any goods arrive damaged, please contact the **AFN4x4** as soon as possible. **AFN4x4** will assess and may arrange to have the damaged goods returned to a **AFN4x4** Distributor and arrange for a replacement of the goods. Damaged goods must be returned in the condition received by you with all original packaging, accessories and/or manuals. If they are not returned in same condition sent there may be an additional fee charged.

To file a claim under this warranty please contact **AFN4x4** at +351 256 808 300 or via email at [geral@afn.pt](mailto:geral@afn.pt) to request a *Returned Goods Authorization (RGA)* number and instructions for returning the defective component.





## 5 ATTACHMENTS

### Electrical Fittings:

- The **Red One** / **Brown One** must be connected to the Positive of the OEM Day Running Light.
- The **Black One** must be connected to the Neutral cable of the vehicle.
- The **Blue One** must be connected to the Positive of the OEM blinkers.

Test if everything is correctly functioning.



DON'T JUST SETTLE FOR THE SAME OLD BULL



WWW.AFN.PT | SALES@AFN.PT | FACEBOOK.COM/AFN4X4

# WELCOME TO THE AFN FAMILY



PROGRAMA OPERACIONAL REGIONAL DO NORTE



União Europeia

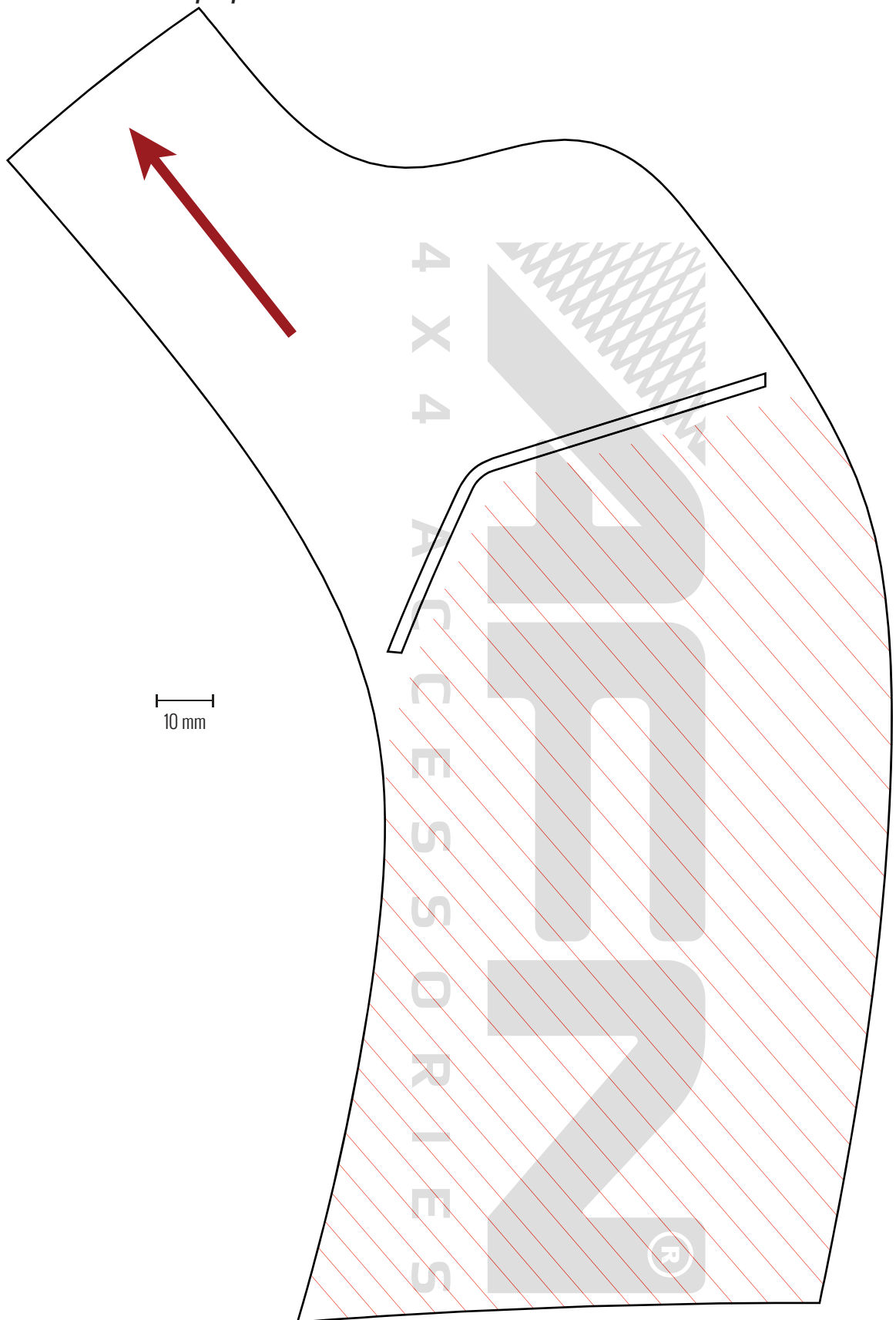
Fundo Europeu de  
Desenvolvimento Regional



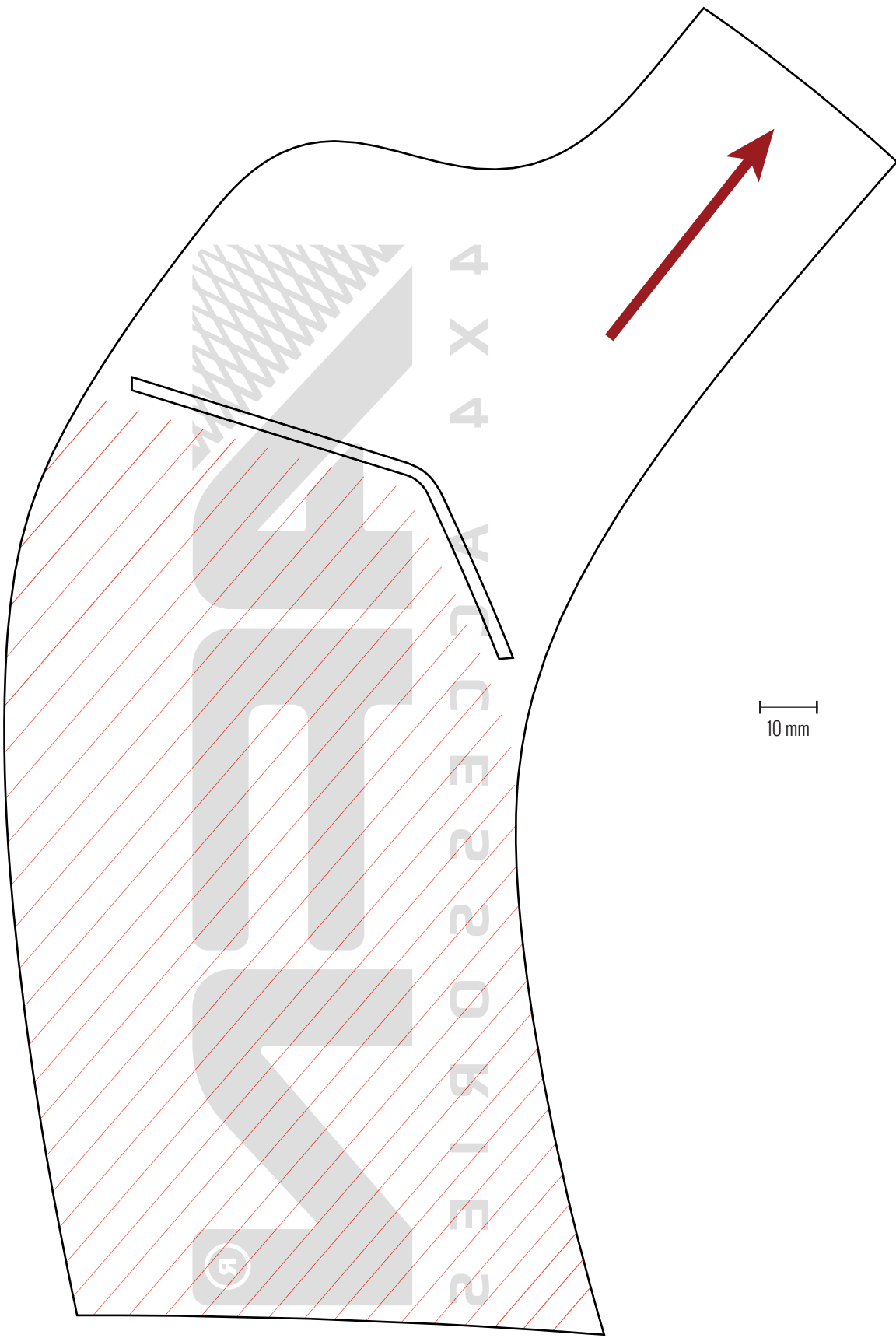
**ATTENTION!**

Please be careful when printing this Template, and choose the "Real Size" of the document and DO NOT print on scale, otherwise the TEMPLATE won't serve its purpose.

**6 ATTACHMENTS**



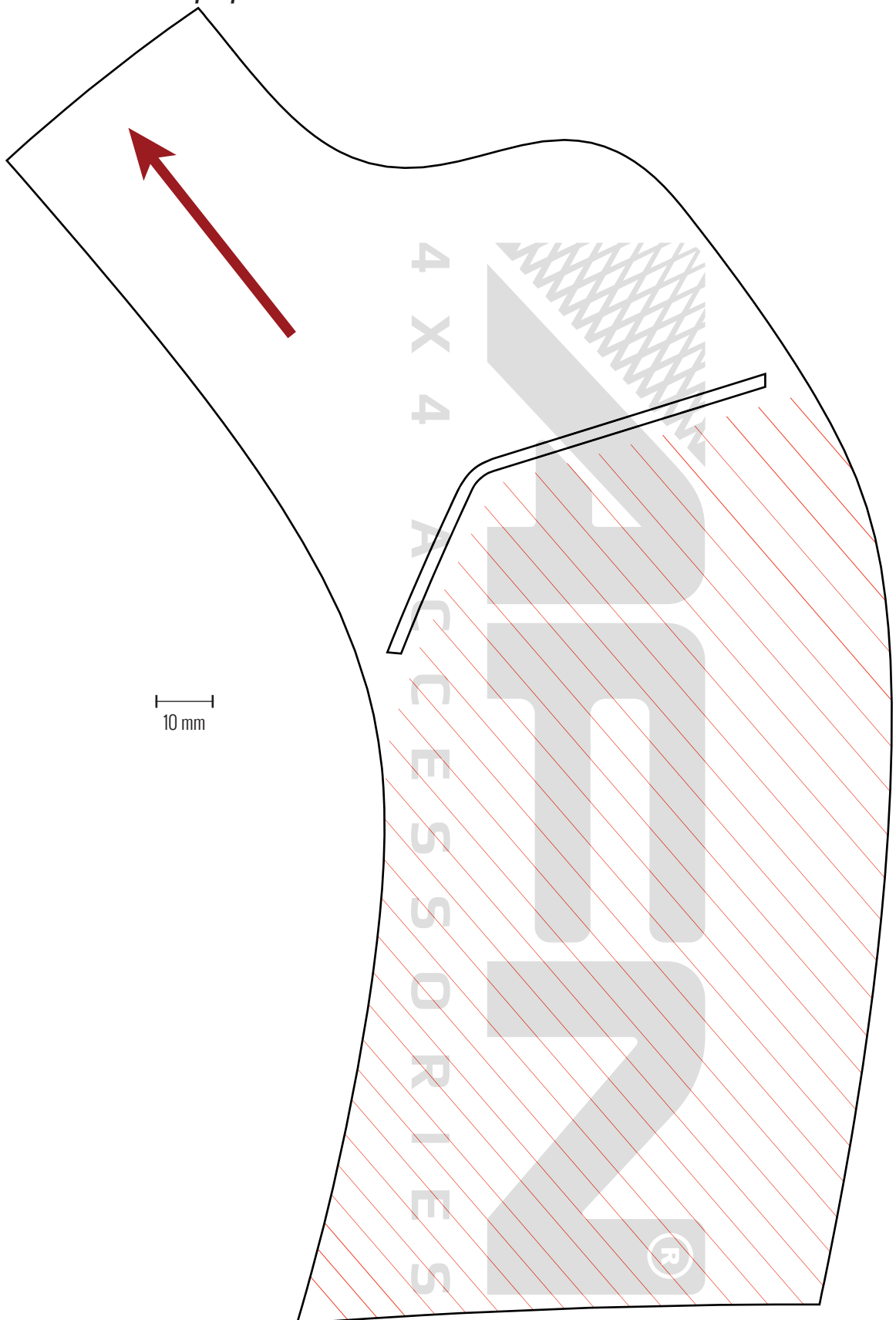
**6 ATTACHMENTS**



**ATTENTION!**

Please be careful when printing this Template, and choose the "Real Size" of the document and DO NOT print on scale, otherwise the TEMPLATE won't serve its purpose.

**6 ATTACHMENTS**





**6 ATTACHMENTS**

